

ITEM OPPORTUNITY SYNOPSIS:

Item to be Scouted

Supplier Scouting Number

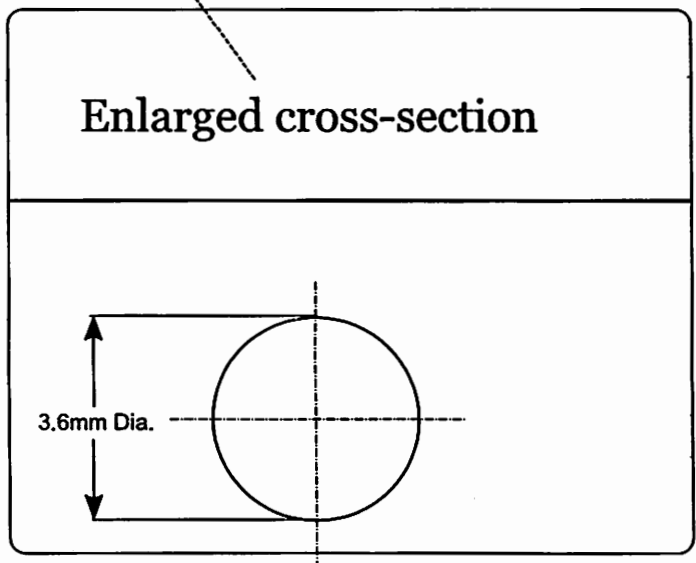
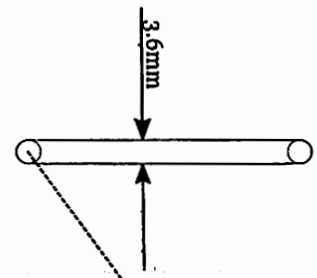
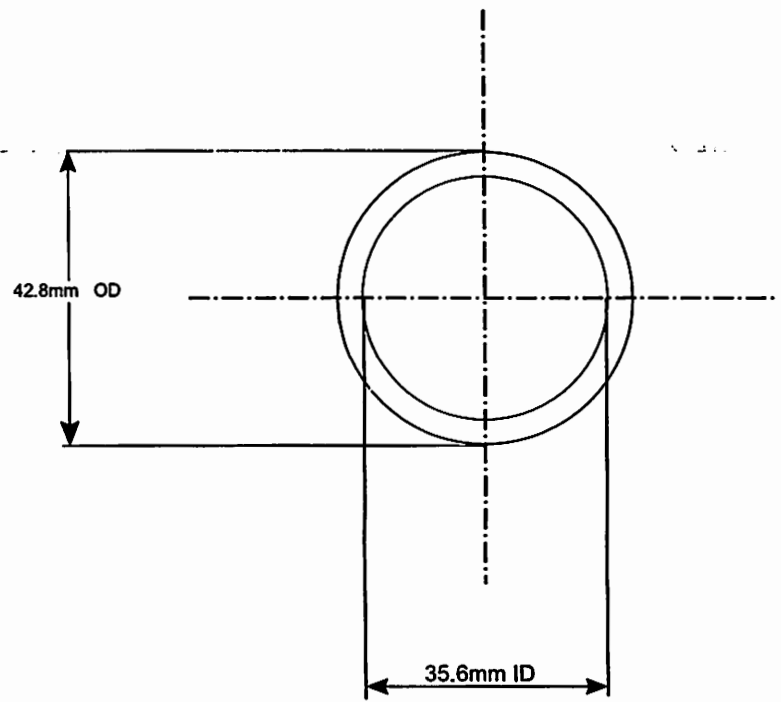
NAICS Code, if known


TECHNICAL INFORMATION:	1. Describe the Item:	a. Please describe the item application/ the end use of item.	
		b. Provide the item number if applicable: (N95 Mask vs Protective Mask).	
	2. Summary of Technical Specifications and Performance Requirements:	a. Provide dimensions / size / tolerances / performance specifications for the item.	
		b. List required materials needed to make the product, including materials of product components, if applicable.	
		c. Are there applicable certification requirements to supply this item? (i.e. ISO certification) Are there any applicable regulations that apply to the production of this item? (i.e. FDA regulations or EPA regulations) Are there any other standard requirements? (i.e. ASME Standard, IEEE Standard) Please specify.	
		d. Describe the manufacturing processes (elaborate to provide as much detail as possible).	
		e. Additional Comments:	
		Is there other information that would impact the item's performance or usefulness? Please explain.	

BUSINESS INFORMATION:		f. Potential Business Volume Estimate (i.e., # Units Per Day, Month, Year):
		g. Target Price / Unit Cost Information:
	3. Delivery Requirements:	a. When is it needed by? (Immediate, 30 Days, 6 months, etc.)
b. Describe packaging requirements (i.e., individually/ group packaging).		
	c. Where is this opportunity located? Is there a preferred shipping proximity - if applicable?	
4. Additional Comments:	a. Opportunities will be posted for 30 days unless another timeframe is given below	
	_____ days	
	b. Is there other information you would like to include?	

Photos or diagrams of the item (helpful but not required).

100 PC \$ 6.50 EA
 250 PC \$ 5.00 EA
 500 PC \$ 4.50 EA



Date= 03/06/2020	 <p>FLOW COMPONENTS & INDUSTRIAL SUPPLY THINK FLOW FIRST</p>	P/N
Scale= 1/1		Gasket Number R03560X360A61D6
Tolerance = ± .015%		APPROVED BY _____
Material=Flurosilicone		
Durometer=70d		
Units= Metric		
Rev.= 00		