

COMPLETE THIS FORM TO INITIATE SUPPLIER SCOUTING

MEPNN Supplier Scouting Opportunity Synopsis

*The submitting organization (ex. MEP Center, requesting company, federal/state agency) agrees to notify NIST MEP of the status of actions taken as a result of this scouting instance within 30 days after receiving a results report. Notification should be via email to scouting@nist.gov, indicating the following:

- Contact with matches identified in report complete and supply contract awarded, process complete
- Contact with matches identified in report complete and no supply contract awarded, process complete
- Contact with matches identified in report complete and supply negotiations underway, process in progress
- Contact with matches identified in report underway; supply negotiations not yet begun; process in progress
- Contact with matches identified in report not yet begun, process in progress
- Contact with matches identified in report will not occur within the next 6-months, process complete

_____ days
Opportunities will be posted for 30 days unless specified

Item to be Scouted

Please describe the item application/ the end use of item.* Provide the item number if applicable: (N95 Mask vs Protective Mask).

Supplier Scouting Number (NIST MEP use)

Scouting customer/product [NAICS Code](#), if known

TECHNICAL INFORMATION:	1. Supplier Information	a. Type of supplier being sought*
		<input type="checkbox"/> Manufacturer <input type="checkbox"/> Contract Manufacturer <input type="checkbox"/> Distributor <input type="checkbox"/> Other _____
	2. Summary of Technical Specifications and Performance Requirements:	b. Reason for scouting submission*
		<input type="checkbox"/> 2 nd Supplier <input type="checkbox"/> Price <input type="checkbox"/> Re-shore <input type="checkbox"/> Past supplier no longer available <input type="checkbox"/> New Product Startup <input type="checkbox"/> Other _____
		a. Describe the manufacturing processes (elaborate to provide as much detail as possible).*
		b. Provide dimensions / size / tolerances / performance specifications for the item.*
c. List required materials needed to make the product, including materials of product components.*		

2. Summary of Technical Specifications and Performance Requirements cont:	d. Are there applicable certification requirements?* <input type="checkbox"/> Yes <input type="checkbox"/> No Please explain	
	e. Are there applicable regulations?* <input type="checkbox"/> Yes <input type="checkbox"/> No Please explain	
	f. Are there any other standards, requirements, etc.?* <input type="checkbox"/> Yes <input type="checkbox"/> No Please explain	
	g. Additional Comments: Is there other information that would impact the item's performance or usefulness? Please explain.	
BUSINESS INFORMATION:	3. Volume and Pricing	3a. Estimated potential business volume (i.e., # Units Per Day, Month, Year) *:
		b. Estimated target price / unit cost information (if unavailable explain) *:
	4. Delivery Requirements:	a. When is it needed by? (Immediate, 30 Days, 6 months, etc.)*
		b. Describe packaging requirements (i.e., individually/group packaging)*
		c. Where will this item be shipped? *
5. Additional Comments:	Is there other information you would like to include?	

Photos or diagrams of the item (helpful but not required).

HD12B017-0100CNO1EEMD

Actuator, Electrak HD, 12vdc, Dynamic Load: 1700 N, Max Stroke Length: 100.000 mm, CAN bus J1939, Cable Length: 300.00 mm

Lead Time: 120 Days

\$821.39 each⁺

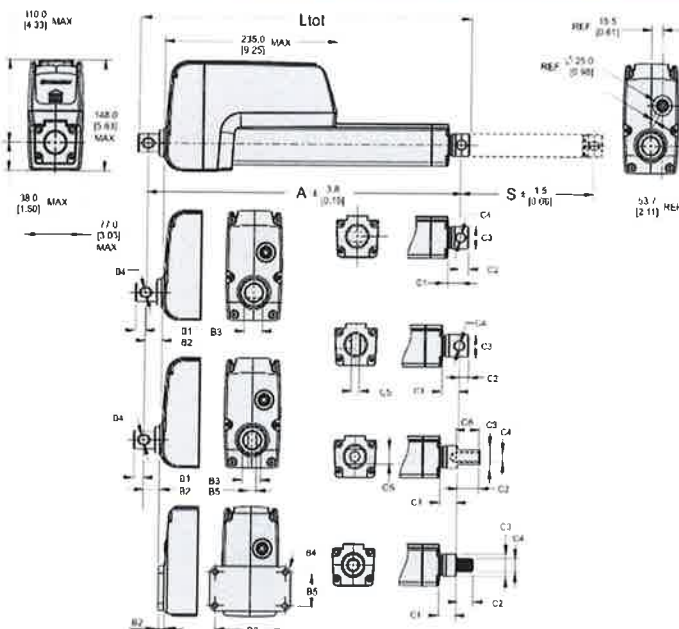
158 lbs force



- Electrak® HD – Superior Performance Linear Actuator Higher Power, Longer Stroke, On-board Controls. Available with optional J1939 CAN bus/CANOpen and Unmatched Environmental Protection
- Unrivaled Environmental Protection. IP69K (static), IP67 (static) and IP66 (dynamic) ratings prove Electrak HD can withstand the harshest environments.
- Salt spray tested for 200 hours.
- RoHS and REACH (EU) certified. CE compliant.
- Integrated manual override.
- Standard anti-rotation actuation.
- Integrated thermal overload protection.
- 25% Duty Cycle @ 25 degrees C

⁺The price shown here is the North American List Price for general reference only. Please Contact Thomson for actual net price and current delivery schedule which will vary with geographic region, quantity ordered and distribution channel. Estimated costs for shipping, packaging and import taxes/duty are not included in this list price. Please contact Thomson Customer Support for more information.

Dimensions



Dimension	Value
[A]	290.0 mm / 11.417 in
[B1]	13.4 mm / 0.528 in
[B2]	21.6 mm / 0.850 in
[B3]	25.4 mm / 1.000 in
[B4]	12.8 mm / 0.504 in
[C1]	17.5 mm / 0.689 in
[C2]	10.9 mm / 0.429 in
[C3]	30.2 mm / 1.189 in
[C4]	12.8 mm / 0.504 in
[L]	314.3 mm / 12.374 in
[S]	100 mm / 3.937 in

Specifications

Specifications	Value
Anti-Rotation	Yes
Brake	Yes
Cable Length	300.000 mm / 11.811 in
Certifications	CE
Special Connector	Flying Leads
End Play, Max	1.200 mm / 0.047 in
IP Rating, Dynamic	66
IP Rating, Static	66, 67, 69K
Manual Override	Yes
Material	E-coated Zinc alloy, hard anodized Aluminum, Stainless Steel
Nominal Stroke	100.00 mm / 3.94 in
Protection, End of Stroke	Potentiometer output limits
Protection, Mid Stroke	User-Defined Electronic Load Monitoring
Screw Type	Ball
Temperature Max	85 °C / 185 °F
Temperature Min	-40 °C / -40 °F
Temperature Monitoring	Yes
Voltage	12 Vdc
Voltage Tolerance	9-16 VDC
Maximum Current Draw	18.0 amp
Weight	6.500 kg / 14.330 lbs
Harness	0.3 m long cables with flying leads
Integrated Motor Control	Yes
Electronic Load Monitoring	Yes
Control	CAN bus J1939
Feedback	None
Serialized	No
Smart Actuation	No
Stroke Tolerance	1.200 mm / 0.047 in
Noise Rating	75.000 dB
Contains Liquids	No
Returnable	No
Warranty	12 months
Install Manual Link	https://www.thomsonlinear.com/downloads/actuators/Electrak_HD_Installation_Operation_mnen.pdf