

## ITEM OPPORTUNITY SYNOPSIS

<p>Scouting Number:          Name of the item to be scouted:          State item to be used in:</p>	<p>2023-143          Replacement Electrical Plug          Illinois</p>
<p><b>Describe the Item:</b></p>	
<p>Please describe the item application/the end use of the item.</p>	<p>Plug Boss is an all new design for a replacement electrical plug. What sets it apart from other replacement plugs is the geometry of the exterior casing and the strength of the internal components. The exterior casing is made of white translucent HDPE 2, and the electrical components are relatively simple die-cut/machine bent brass components</p>
<p><b>Supplier Information:</b></p>	
<p>Type of Supplier Being Sought (select from the list below):          Manufacturer          Contract Manufacturer          Distributor          Other (Please Specify)</p>	<p>x</p>
<p>Reason for Scouting Submission (select from the list below)          2nd Supplier          Price          Re-Shore          Past supplier no longer available          New Product Startup          BABA          Other (Please Specify)</p>	<p>x</p>
<p><b>Summary of Technical Specifications and Performance Requirements:</b></p>	
<p>Describe the manufacturing processes (elaborate to provide as much detail as possible)</p>	<p>The exterior casing is to be molded from recycled milk cartons or similar to provide a white translucent shell for the interior components. The logo is to be secondarily molded into the face of the case in black HDPE. A small LED is to be embedded into the</p>
<p>Provide dimensions / size / tolerances / performance specifications of the item</p>	<p>The existing prototypes and diagrams put the housing dimensions at 3" wide, 1 1/2"</p>
<p>List required materials needed to make the product, including materials of product components, if applicable</p>	<p>Casing is made from recycled milk cartons, HDPE 2. The internal components are made of machined/pressed brass and standard screw/bolt hardware.</p>
<p>Are there applicable certification requirements?          Yes          No          Please explain:</p>	<p>x</p>
<p>Are there any applicable regulations that apply to the production of this item?          Yes          No          Please explain:</p>	<p>x</p>
<p>Are there any other standards / requirements?          Yes          No          Please explain:</p>	<p>x</p>
<p><b>Additional Comments:</b></p>	
<p>Additional technical comments:</p>	<p>This is the first version of this product. Ultimately, the company would like to produce one that connects to home Local Area Network (LAN)/WiFi, so it can be controlled with an app.</p>
<p><b>Volume and Pricing:</b></p>	
<p>Estimated Potential Business Volume (i.e. #units per day, month, year):</p>	<p>Flexible with the manufacturing minimum</p>
<p>Estimated Target Price / Unit Cost Information:</p>	<p>The company will be starting local/regional as well as online sales, but ultimately will cater to all of North America. Sales number estimates are not available at this time,</p>
<p><b>Delivery Requirements:</b></p>	
<p>When is it needed by? (Immediate, 30 days, 6 months, etc)</p>	<p>first order would most likely be 90-120 days.</p>
<p>Describe packaging requirements (i.e. individually / group packaging, etc)</p>	<p>The product would be ordered with and without packaging, for brick and mortar or online sales. Plug Boss LLC will produce marketing graphics. The product will be placed on a 6" x 9" (est) cardboard with a plug shaped cutout to allow the product to sit flat with the logo on the product facing out. It will be held to the cardboard by thin conforming clear plastic. The package will have a hole on top to allow for peg board display. These individual packaged items will be stacked in layers into a 2'x2' display box, allowing the vendor to choose between peg board display, or free standing aisle display.</p>
<p>Where will this item be shipped?</p>	<p>these items will be shipped to Carbondale, IL. Final distribution facilities are yet to be established.</p>
<p><b>Additional Comments:</b></p>	
<p>Is there other information you would like to include?</p>	

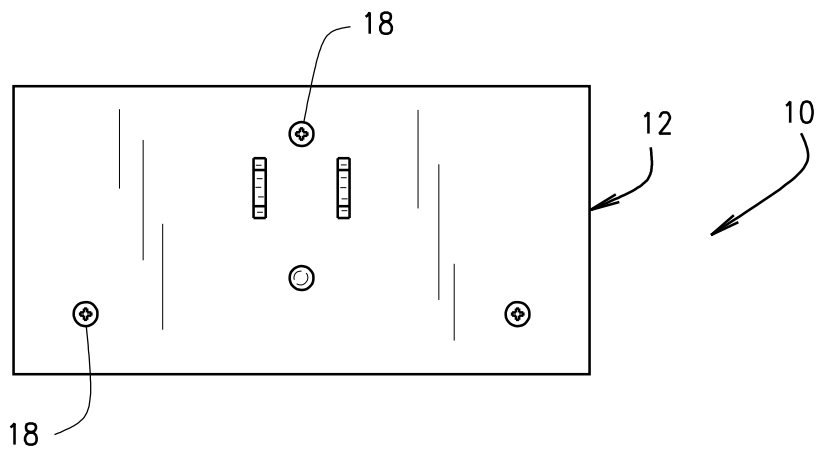


FIG. 1

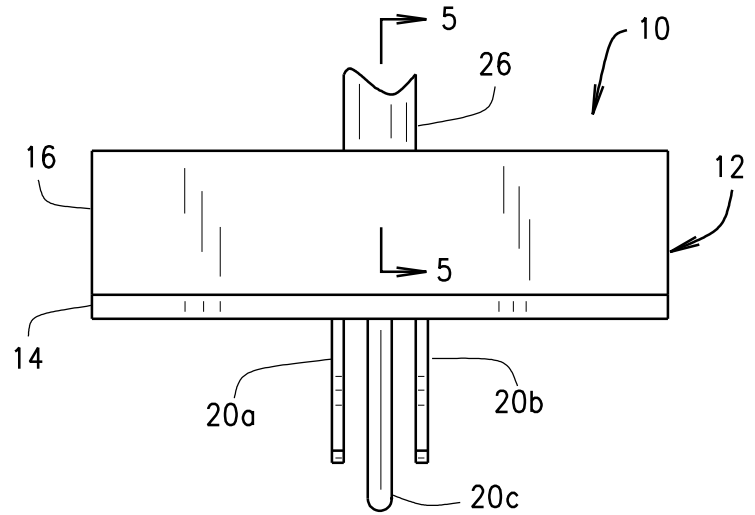


FIG. 2

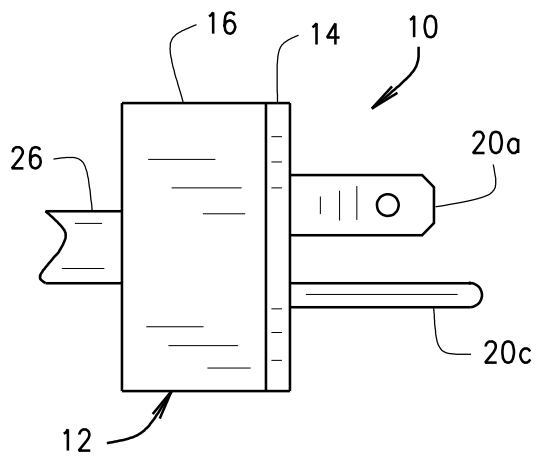


FIG. 3

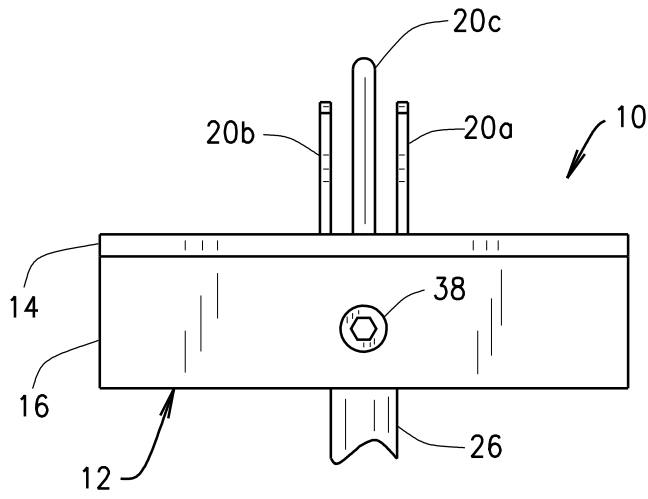


FIG. 4

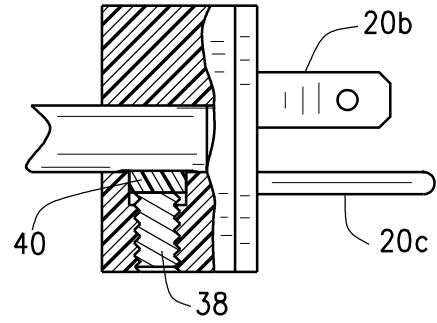


FIG. 5

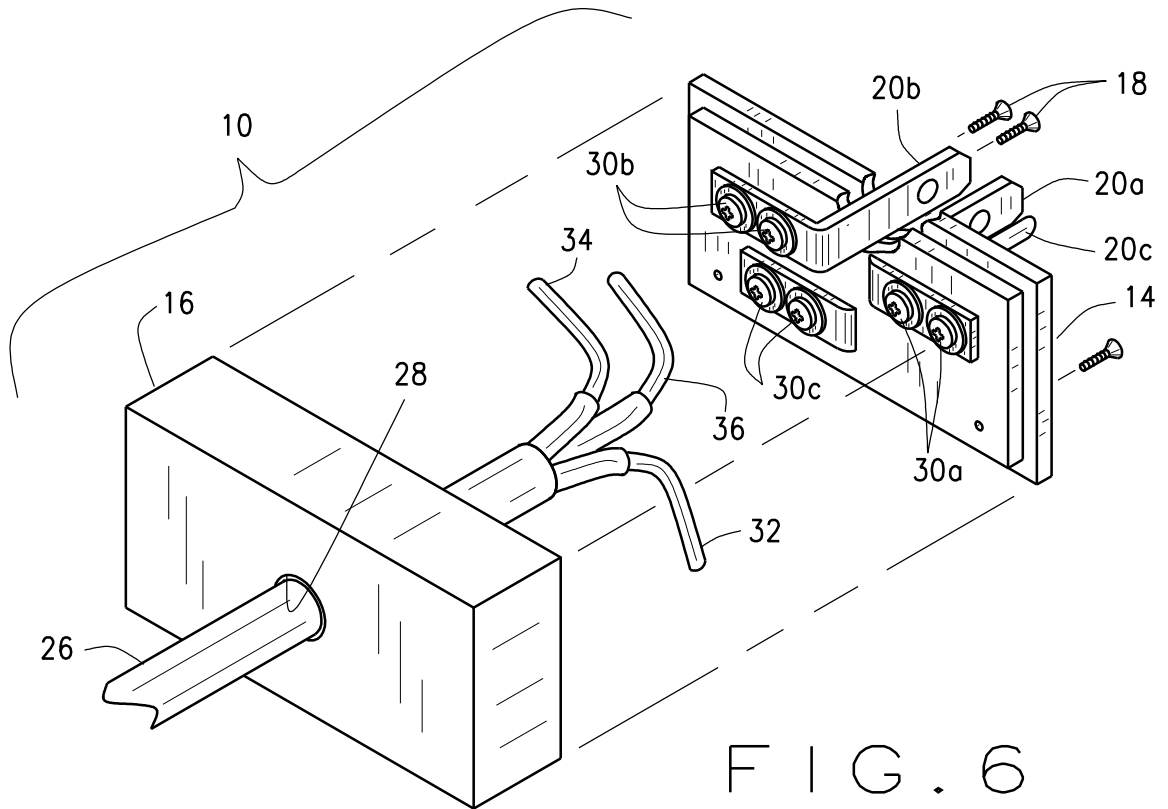


FIG. 6

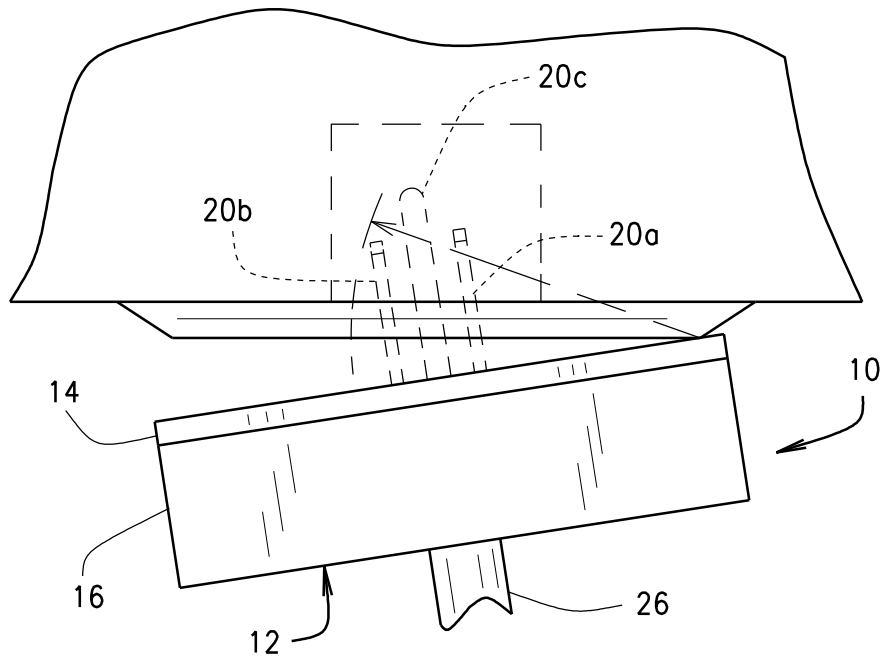


FIG. 7

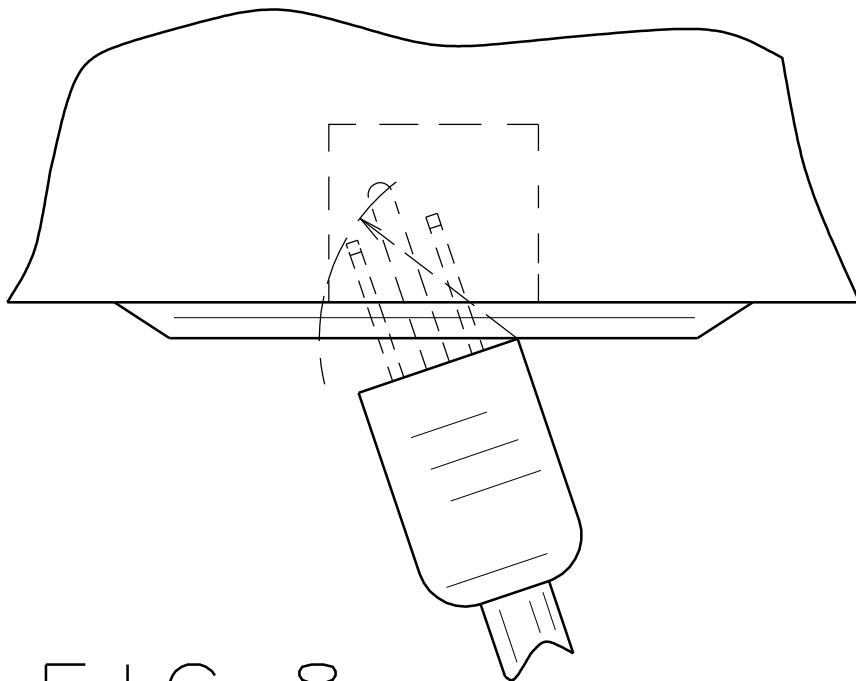


FIG. 8  
PRIOR ART