

ITEM OPPORTUNITY SYNOPSIS

Scouting Number: 2023-155
 Name of the item to be scouted: Electrical Silver Contacts Rivets
 State item to be used in: Massachusetts

Describe the Item:

Please describe the item application/the end use of the item.

Silver Contact Rivet - See attached drawing. The rivets/contacts are used in assemblies. The contacts are part of electrical components used in some of the following applications - Circuit Breakers, Relays, Switches, Timers, Controls.

Supplier Information:

Type of Supplier Being Sought (select from the list below):

Manufacturer x
 Contract Manufacturer
 Distributor
 Other (Please Specify)

Reason for Scouting Submission (select from the list below)

2nd Supplier x
 Price
 Re-Shore
 Past supplier no longer available
 New Product Startup
 BABA
 Other (Please Specify)

Summary of Technical Specifications and Performance

Requirements:

Describe the manufacturing processes (elaborate to provide as much detail as possible) Cold Heading Machine, the shape may require some precision machining.

Provide dimensions / size / tolerances / performance specifications of the item 4mm Width. 2mm Diameter neck. Neck Height 1.33mm (Ref). 3mm overall height. Radius of head is 1mm .2mm edge break.

List required materials needed to make the product, including materials of product components, if applicable Silver Alloy (Ag) Purity 99.99%

Are there applicable certification requirements?

Yes
 No x
 Please explain:

Are there any applicable regulations that apply to the production of this item?

Yes
 No x
 Please explain:

Are there any other standards / requirements?

Yes
 No x
 Please explain:

Additional Comments:

Additional technical comments:

Volume and Pricing:

Estimated Potential Business Volume (i.e. #units per day, month, year): 3,000 pc

Estimated Target Price / Unit Cost Information: N/A – Based off Silver Market Price

Delivery Requirements:

When is it needed by? (Immediate, 30 days, 6 months, etc) N/A - Best Lead Time

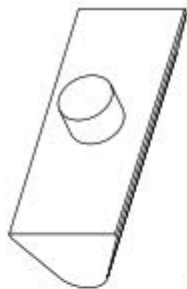
Describe packaging requirements (i.e. individually / group packaging, etc) Bagged / Plastic Tube

Where will this item be shipped?

East Longmeadow, Massachusetts

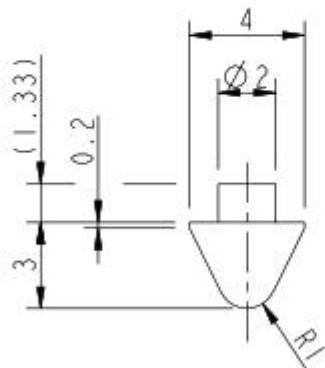
Additional Comments:

Is there other information you would like to include?



NOTE

1. MATERIAL : SILVER ALLOY (Ag)
- PURITY 99.99% \triangle



SCALE 4.000

