

ITEM OPPORTUNITY SYNOPSIS

Scouting Number:	2023-185
Name of the item to be scouted:	Socket Flanged Button Screw with Rubber Grommet
State item to be used in:	Wisconsin

Describe the Item:

Please describe the item application/the end use of the item.	M6 X 55 MM Socket Flanged Button Screw (ISO 7380-2) Black Stainless Steel (A2) with Rubber Grommet
--	--

Supplier Information:

Type of Supplier Being Sought (select from the list below):

- Manufacturer x
- Contract Manufacturer
- Distributor
- Other (Please Specify)

Reason for Scouting Submission (select from the list below)

- 2nd Supplier
- Price
- Re-Shore
- Past supplier no longer available
- New Product Startup x
- BABA
- Other (Please Specify)

Summary of Technical Specifications and Performance Requirements:

Describe the manufacturing processes (elaborate to provide as much detail as possible)	Button Screw: Black, Stainless Steel Construction, ISO 7980-2 Manufacturing Standard Style D Rubber Grommet AIR & WATERTIGHT LATCHING, POLYCARBONATE PROTECTION FROM CRACKING
---	---

Provide dimensions / size / tolerances / performance specifications of the item	M6 X 55 MM (ISO 7380-2) Style D Rubber Grommet for snug fit.
--	--

List required materials needed to make the product, including materials of product components, if applicable	Black Stainless Steel (A2) Style D Rubber Grommet
---	---

Are there applicable certification requirements?	
Yes	
No x	
Please explain:	

Are there any applicable regulations that apply to the production of this item?	
Yes	
No x	
Please explain:	

Are there any other standards / requirements?	
Yes	
No x	
Please explain:	

Additional Comments:

Additional technical comments:	Black Stainless Steel Button Screw - ISO 7980-2 Rubber Grommet - Style D
---------------------------------------	--

Volume and Pricing:

Estimated Potential Business Volume (i.e. #units per day, month, year):	This is a prototype. Volume is still being determined
Estimated Target Price/Unit Cost Information:	Price is still being negotiated

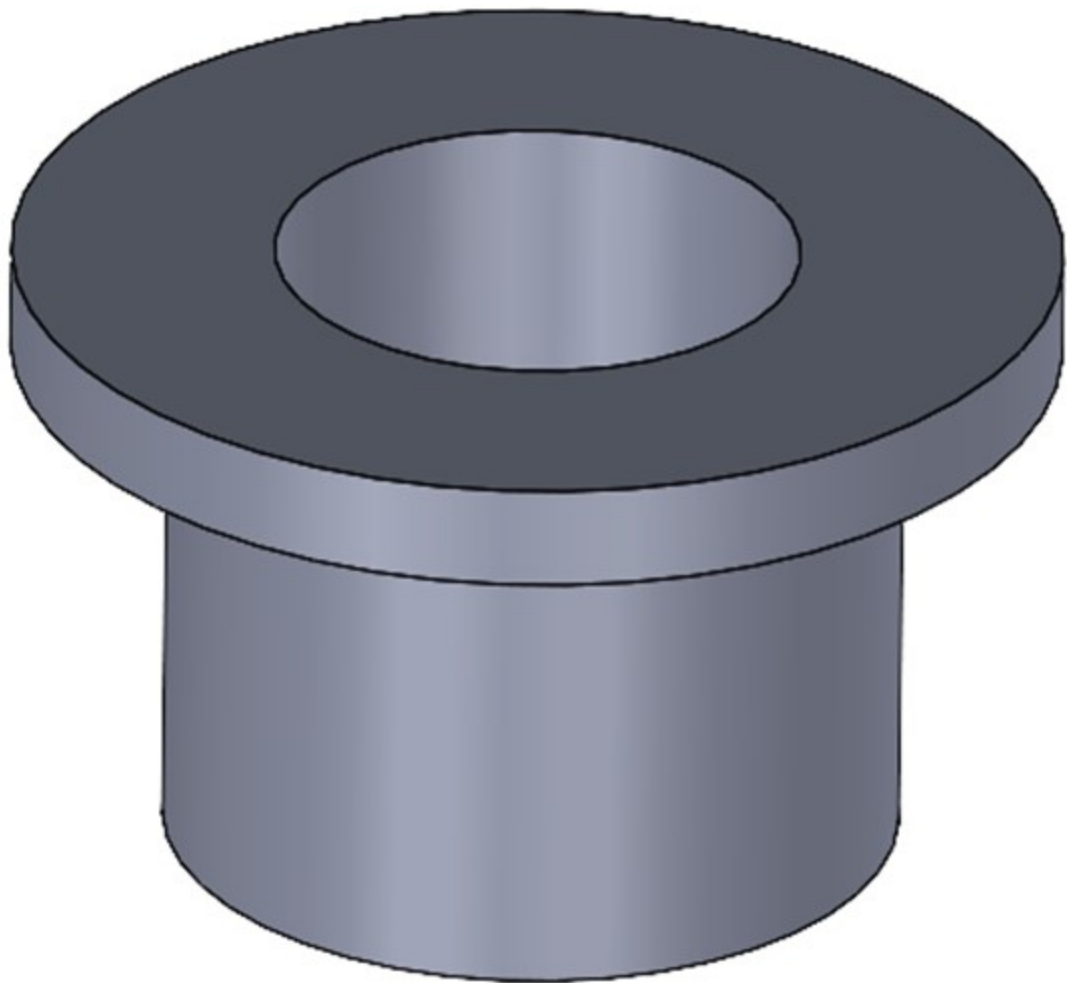
Delivery Requirements:

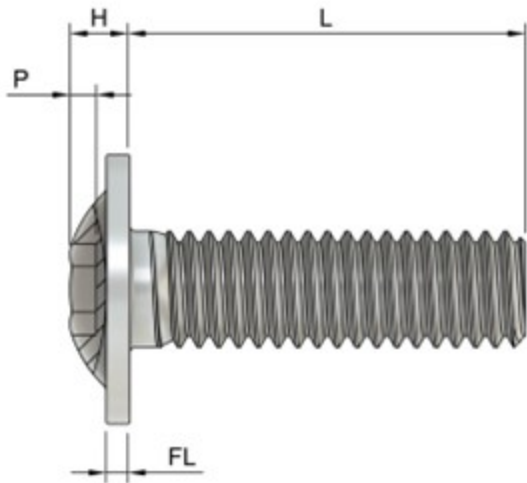
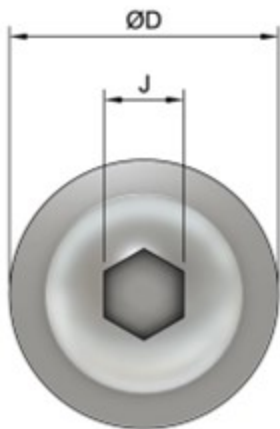
When is it needed by? (Immediate, 30 days, 6 months, etc.)	Quarter 1, 2024
---	-----------------

Describe packaging requirements (i.e. individually/group packaging, etc.)	Standard packaging is acceptable. There are no special requirements.
Where will this item be shipped?	Item will be shipped domestically.

Additional Comments:

Is there other information you would like to include?





M6 x 55mm Socket Flanged Button Screws (ISO 7380-2) - Black Stainless Steel (A2) Description

The M6 x 55mm Socket Flanged Button Screws (ISO 7380-2) - Black Stainless Steel (A2) has the following features:

- 55mm Thread Length (L)
- ISO 7380-2 Manufacturing Standard
- Stainless Steel (A2) Material
- Stainless Steel (A2) Material Specification
- 1mm Screw Thread Pitch
- Matte Black Finish
- Metric Metric or Imperial?
- M6 (6mm) Thread Size
- 13.6mm Flange Diameter (Max) (D)
- +0/-0.18mm Hexagon Depth (Min) (P)
- 4.095mm Socket Size (Max) (J)
- +0/-0.2mm Flange Height (FL) Tolerance
- 1.2mm Flange Height (Max) (FL)
- 3.3mm Head Height (Max) (H)
- 4mm Socket Size (Nom.) (J)
- 10mm Head Diameter (Max)
- +0/-0.36mm Head Diameter Tolerance
- +0/-0.7mm Flange Diameter (Min)
- +0/-0.3mm Head Height (H) Tolerance
- 2.26mm Hexagon Depth (Max) (P)
- 4.02mm Socket Size (Min) (J)