

## ITEM OPPORTUNITY SYNOPSIS

<b>Scouting Number:</b>	2024-011
<b>Name of the item to be scouted:</b>	1" Brass Lockwing Valve
<b>State item to be used in:</b>	Pennsylvania
<b>Describe the Item:</b>	
<b>Please describe the item application/the end use of the item.</b>	1" Brass Lockwing Valve
<b>Supplier Information:</b>	
<b>Type of Supplier Being Sought (select from the list below):</b>	
Manufacturer	x
Contract Manufacturer	
Distributor	
Other (Please Specify)	
<b>Reason for Scouting Submission (select from the list below)</b>	
2nd Supplier	
Price	
Re-Shore	
Past supplier no longer available	
New Product Startup	
BABA	x
Other (Please Specify)	
<b>Summary of Technical Specifications and Performance Requirements:</b>	
<b>Describe the manufacturing processes (elaborate to provide as much detail as possible)</b>	Forging/Casting/Assembly
<b>Provide dimensions / size / tolerances / performance specifications of the item</b>	See attached cut sheet
<b>List required materials needed to make the product, including materials of product components, if applicable</b>	See attached cut sheet
<b>Are there applicable certification requirements?</b>	
Yes	
No	x
Please explain:	
<b>Are there any applicable regulations that apply to the production of this item?</b>	
Yes	
No	x
Please explain:	
<b>Are there any other standards / requirements?</b>	
Yes	
No	x
Please explain:	
<b>Additional Comments:</b>	
<b>Additional technical comments:</b>	
<b>Volume and Pricing:</b>	
<b>Estimated Potential Business Volume (i.e. #units per day, month, year):</b>	570 pieces total
<b>Estimated Target Price/Unit Cost Information:</b>	\$25
<b>Delivery Requirements:</b>	
<b>When is it needed by? (Immediate, 30 days, 6 months, etc.)</b>	1-2 months
<b>Describe packaging requirements (i.e. individually/group packaging, etc.)</b>	boxed
<b>Where will this item be shipped?</b>	Chambersburg, PA
<b>Additional Comments:</b>	
<b>Is there other information you would like to include?</b>	

# s.80 NPT

full port 3/4"-2"

hot forged brass gas cock  
with tamper proof lockwing



## Quality:

- 24h 100% seal test guaranteed
- Dual sealing system allows valve to be operated in either direction making installation easier
- No metal-to-metal moving parts
- No maintenance ever required
- Cover clearly shows ball position
- Silicone-free lubricant on all seals
- Chrome plated brass ball for longer life
- Travel stops on body to avoid stresses at stem

## Body:

- Hot forged sand blasted, unplated brass body and cap sealed with Loctite® or equivalent thread sealant
- Special design to combine newest technologies in valve and traditional gas-cock requirements
- Finest brass according to EN 12165 and EN 12164 (formerly DIN 17660 and UNI 5705-65) specifications

## Stem:

- Blowout-proof nickel plated brass stem
- Two FPM O-rings at the stem for maximum safety

## Seals:

- Pure PTFE self-lubricating seats with flexible-lip design



## Threads:

- NPT taper ANSI B.1.20.1 Female by Female threads

## Flow:

- Full port to DIN 3357 for maximum flow

## Handle:

- Hot forged brass tamper proof lockwing

## Working Pressure:

- 600 PSI
- non-shock cold working pressure

## Working Temperature:

- -40°F / +350°F
- Warning: freezing of the fluid in the installation may severely damage the valve

## Options:

- Male by female NPT threads

## Upon Request:

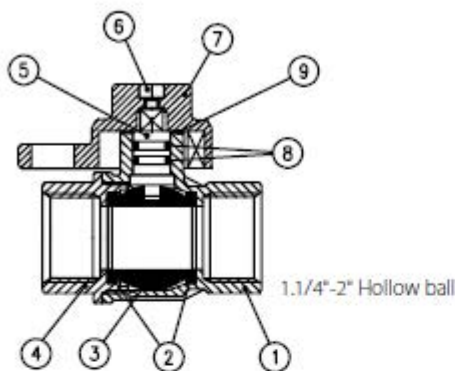
- Painted Gray

## Approved by or in compliance with:

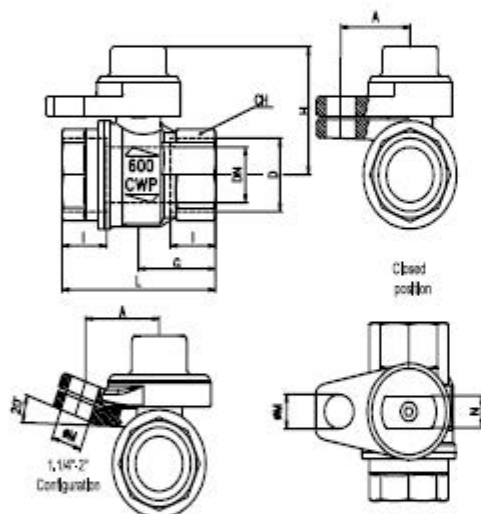
- Canadian standards Association (United States, Canada)
- GOST-R (Russia)
- Hygiene and epidemic center in Moscow city (Russia)
- UkrSepro (Ukraine)
- RoHS Compliant
- Underwriters Laboratories (United States & Canada)

• EAC - Declaration of conformity (Russia-Kazakhstan-Belarus)

**NOTE:** Approvals apply to specific configurations/sizes only.



PART DESCRIPTION	Q.TY	MATERIAL
1	1	CW617N
2	2	PTFE
3	1	CW617N
4	1	CW617N
5	1	CW617N
6	1	AISI304
7	1	CW617N
8	2	FPM
9	1	PTFE glass filled 25%

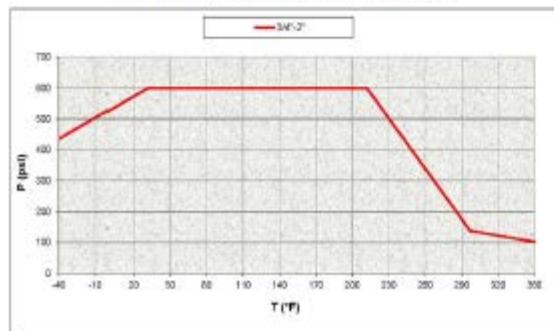


Code	S80E41	S80F41	S80G41	S80H41	S80J41
D (inch)	3/4	1	1 1/4	1 1/2	2
DN (Inch)	0.787	0.984	1.259	1.574	1.968
I (Inch)	0.669	0.826	0.905	0.905	1.043
L (Inch)	2.519	3.188	3.661	4.015	4.763
G (inch)	1.259	1.594	1.830	2.007	2.381
A (Inch)	1.142	1.142	1.208	1.208	1.208
H (Inch)	1.801	1.958	2.519	2.756	3.031
M (inch)	0.492	0.492	0.472	0.472	0.472
N (Inch)	0.449	0.449	0.563	0.563	0.563
CH (Inch)	1.220	1.574	1.929	2.125	2.696

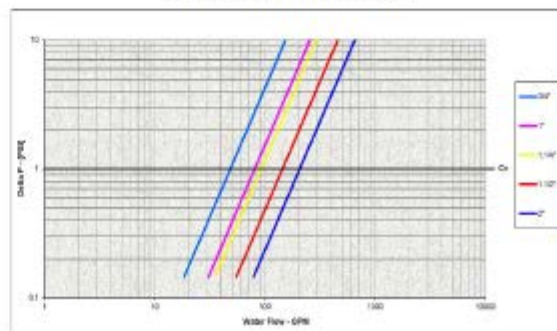
DN shows the nominal flow diameter. Actual flow diameter complies with full port DIN 3357 part 4.

Ask for additional information on the whole range of **RuB** valves and consult with your supplier for special applications.

### Pressure-Temperature Chart



### Pressure Drop Chart



The company reserves all rights for the information contained herein. Products may be changed at any time without notice. Any undated reference to a code or standard shall be interpreted as referring to the latest edition. **RuB** and logo are registered trademarks of **RuB** - Rubinetterie utensilerie Bonomi. Other logos and registered trademarks are property of respective owners.

XCES80 - Rev. 3692