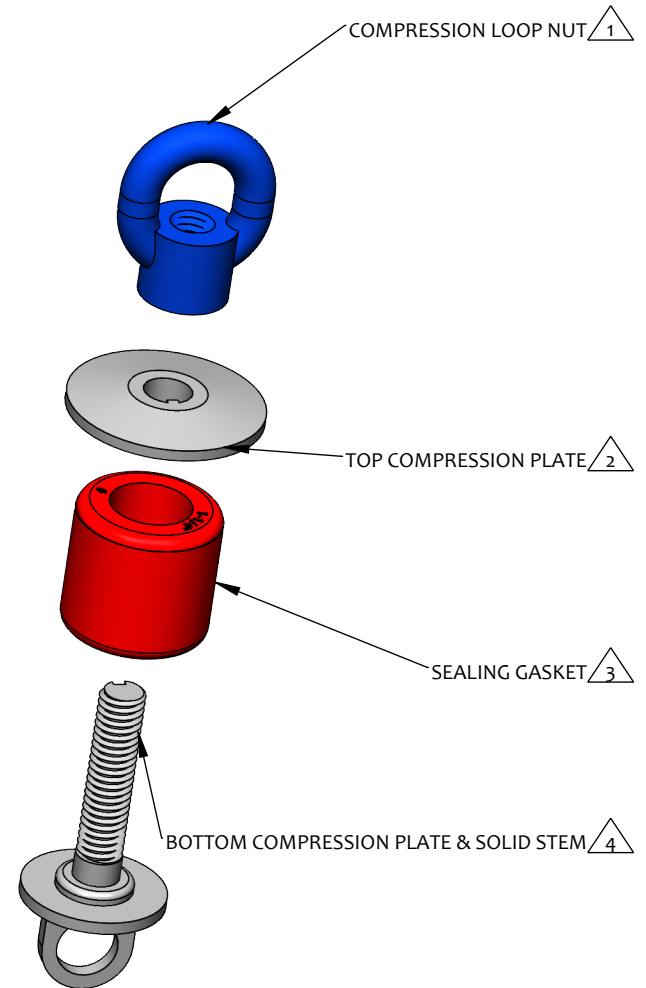
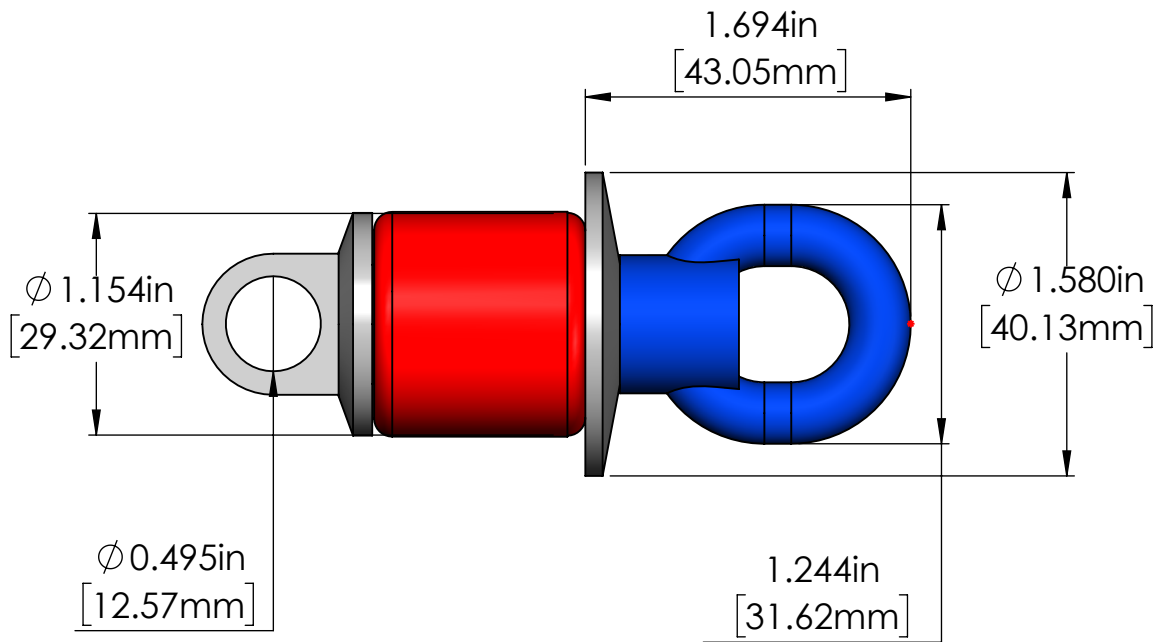


## ITEM OPPORTUNITY SYNOPSIS

<b>Scouting Number:</b>	2024-127
<b>Name of the item to be scouted:</b>	Duct Plug
<b>State item to be used in:</b>	Alaska
<b>Describe the Item:</b>	
<b>Please describe the item application/the end use of the item.</b>	PLUG DUCT BLANK 1 1/4 IN WITH ROPE TIE 1.14-1.48 ID
<b>Supplier Information:</b>	
<b>Type of Supplier Being Sought (select from the list below):</b>	
Manufacturer	x
Contract Manufacturer	
Distributor	
Other (Please Specify)	
<b>Reason for Scouting Submission (select from the list below)</b>	
2nd Supplier	
Price	
Re-Shore	
Past supplier no longer available	
New Product Startup	
BABA	x
Other (Please Specify)	
<b>Summary of Technical Specifications and Performance Requirements:</b>	
<b>Describe the manufacturing processes (elaborate to provide as much detail as possible)</b>	Assembly
<b>Provide dimensions / size / tolerances / performance specifications of the item</b>	OEM# 5120-12, Last Supplier: TVC, Anixter; Last Manufacturer: CAL AM MANUFACTURING Similar in function and design to: <a href="https://calam.net/electrical-broadband/mechanical-plugs/">https://calam.net/electrical-broadband/mechanical-plugs/</a>
<b>List required materials needed to make the product, including materials of product components, if applicable</b>	Various
<b>Are there applicable certification requirements?</b>	
Yes	
No	x
Please explain:	
<b>Are there any applicable regulations that apply to the production of this item?</b>	
Yes	
No	x
Please explain:	
<b>Are there any other standards / requirements?</b>	
Yes	
No	x
Please explain:	
<b>NAICS CODES:</b>	
NAICS 1	
NAICS 2	
<b>Additional Comments:</b>	
<b>Additional technical comments:</b>	
<b>Volume and Pricing:</b>	
<b>Estimated Potential Business Volume (i.e. #units per day, month, year):</b>	70 units, potential business from future projects
<b>Estimated Target Price/Unit Cost Information:</b>	best available
<b>Delivery Requirements:</b>	
<b>When is it needed by? (Immediate, 30 days, 6 months, etc.)</b>	asap
<b>Describe packaging requirements (i.e. individually/group packaging, etc.)</b>	BULK, Product must be delivered undamaged with an industry accepted warranty
<b>Where will this item be shipped?</b>	Anchorage, Alaska
<b>Additional Comments:</b>	
<b>Is there other information you would like to include?</b>	

CONDUIT ID RANGE	APPLICABLE 1.25" [32mm] CONDUIT
1.156" - 1.510" [26.36mm - 38.35mm]	PVC SCH 40 PVC SCH 80 EMT HDPE SCH 40 HDPE SCH 80 HDPE SDR 11 HDPE SDR 13.5 HDPE SDR 15.5 HDPE SDR 9

Applicable conduit types based on product's conduit ID range meeting or exceeding conduit ID dimensions specified in one or more of following standards: UL651, UL651A, ASTM F2160, NEMA TC 6 & 8



**Kwikie™**  
Blank Duct Plugs

NOTES:

- 1 Material: PVC
- 2 Material: Polypropylene
- 3 Material: Thermoplastic Elastomer
- 4 Material: Nylon

TITLE	BLANK DUCT PLUG, LOOP NUT, 1.25"   32mm		
<b>PROPRIETARY AND CONFIDENTIAL</b> THE INFORMATION CONTAINED IN THIS DRAWING IS THE SOLE PROPERTY OF CAL AM MANUFACTURING. ANY REPRODUCTION IN PART OR AS A WHOLE WITHOUT THE WRITTEN PERMISSION OF CAL AM MANUFACTURING IS PROHIBITED.	DRAWN	J.C. MORENO	DATE: 06-26-2023
	DRAWING NO.	KWI-5120-12	UNLESS OTHERWISE SPECIFIED DIMENSIONS ARE IN INCHES TOLERANCES: X±0.1 X.X±0.05 X.XX±0.030 X.XXX±0.020
	REVISION	B	
	SCALE:	1:2	PRODUCT NUMBER:



SHEET 1 OF 1