

MEPNN Supplier Scouting Opportunity Synopsis

Section 1: General Information

Scouting Number	2024-279
Item to be Scouted	12 oz Long Neck Amber Glass Bottle
Days to be scouted	30
Response Due By	10/11/2024
Description	The company is looking for a 12 oz long neck amber glass bottle with a crown lid.
Notify Requester Immediately	No
State item to be used in	Puerto Rico

Section 2: Technical Information

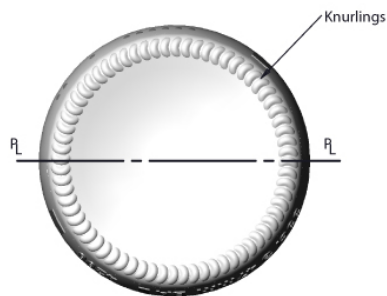
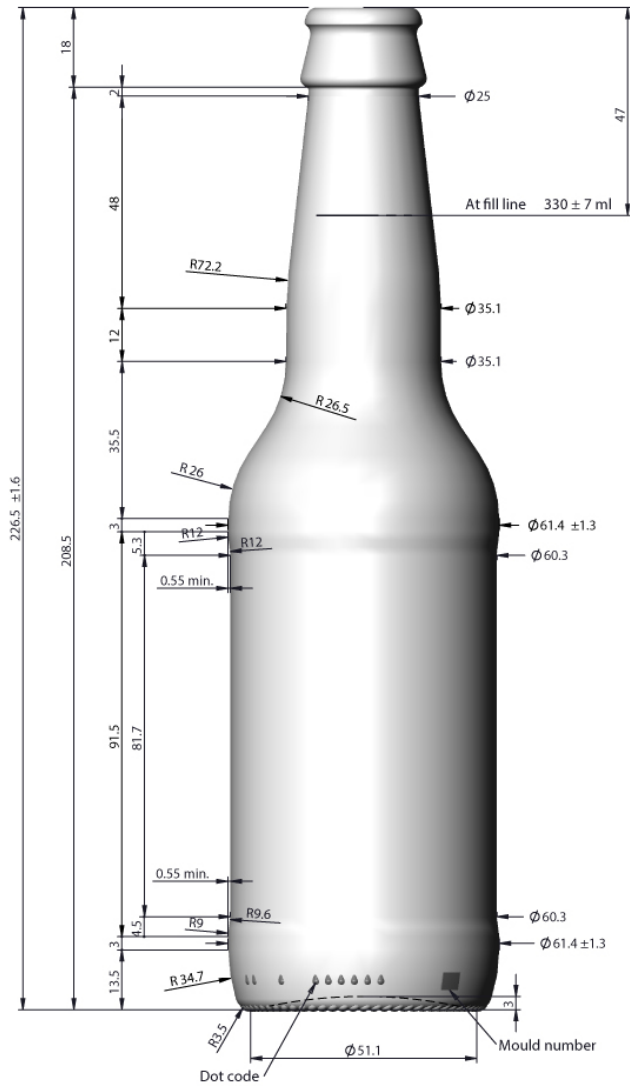
Type of supplier being sought	Manufacturer
Reason	Past supplier no longer available
Describe the manufacturing processes (elaborate to provide as much detail as possible)	Standard glass container manufacturing process as seen in the food industry.
Provide dimensions / size / tolerances / performance specifications for the item	12 oz bottle. The specific dimensions will be on the pdf diagram below.
List required materials needed to make the product, including materials of product components	Amber Glass
Are there applicable certification requirements?	No
Are there applicable regulations?	No
Are there any other standards, requirements, etc.?	No
NAICS 1	327213 Glass container manufacturing
NAICS 2	
Additional Technical Comments	


Section 4: Business Information

Estimated potential business volume	A volume of approximately 300,000 per year is needed.
Estimated target price / unit cost information (if unavailable explain)	Approximately \$0.15 FOB at their factory door. Willing to look at other options.
When is it needed by?	As soon as possible
Describe packaging requirements	Standard glass container packaging.
Where will this item be shipped?	San Juan, Puerto Rico

Additional Comments

Is there other information you would like to include?	
---	--



 <p>Vitroval ENVASES DE VIDRIO - GLASS PACKAGING</p>	Referencia/sku PTBA004298N00T		ESCALA Scale
	Tipo de boca/Mouth type Corona		
Descripción/Name BOTELLA CERVEZA LONGNECK 33 CL B/CORONA AMBAR	Color/Color	Altura/Height	226,50 mm
	Ámbar/Topacio	Diámetro/Diameter	61,00 mm
	Paletización habitual/Units per pallet 2736	Peso/Weight	215,00 g
		Capacidad/Volume	33,00 cl
Fecha/Date	10/07/24		

El presente documento queda amparado a todos los efectos por el Reglamento (CE) 609/2002 de 12 de diciembre de 2001, si en el 20/2024 del "Boletín Oficial del Estado" de 17 de septiembre de 2024 se publica el Real Decreto 101/2024 de 17 de septiembre de 2024 por el que se aprueba el Reglamento de etiquetado, comercialización, importación, almacenamiento y distribución de ciertos productos que incorporan el presente diseño, excepto autorización expresa y por escrito de Vitroval, S.L. o del Propietario del mismo. La empresa no se hace responsable de cualquier uso no autorizado de este documento o de sus copias no autorizadas. Todos los derechos quedan reservados.

The information contained in this document is protected by the Regulation (CE) 609/2002 of 12th December 2001, if in the 20/2024 of the "Boletín Oficial del Estado" of 17th September 2024 is published the Real Decreto 101/2024 of 17th September 2024 by which the Regulation of labeling, commercialization, importation, storage and distribution of certain products which incorporate the present design, except express authorization and in writing of Vitroval, S.L. or the Owner of it. The company is not responsible for any unauthorized use of this document or its uncontrolled copies. All rights reserved.

