

MEPNN Supplier Scouting Opportunity Synopsis

Section 1: General Information

Scouting Number	2024-312
Item to be Scouted	Toilet Seat
Days to be scouted	45
Response Due By	11/23/2024
Description	Commercial heavy duty plastic toilet seat.
Notify Requester Immediately	
State item to be used in	Vermont

Section 2: Technical Information

Type of supplier being sought	Manufacturer
Reason	BABA
Describe the manufacturing processes (elaborate to provide as much detail as possible)	Factory manufactured accessory shall include the following components. Plastic toilet seat, non-self-sustaining check hinges with non-corroding stainless steel posts and pintles. Open front, less cover.
Provide dimensions / size / tolerances / performance specifications for the item	Seat shall be for commercial bowl. 18 9/16" long x 14 1/2" wide. See attached product data for performance specifications and equipment dimensions.
List required materials needed to make the product, including materials of product components	Fixture shall be made of vitreous china.
Are there applicable certification requirements?	Yes
Details	American National Standards Institute (ANSI) Z124.5
Are there applicable regulations?	Yes
Details	Fixture needs to comply with the International Plumbing Code.
Are there any other standards, requirements, etc.?	No
NAICS 1	326199 All Other Plastics Product Manufacturing
NAICS 2	
Additional Technical Comments	

Section 4: Business Information

Estimated potential business volume	Bemis is the basis of design, one of the leading manufacturers for this type of fixture. The estimated potential business volume for a manufacturer would be a single purchase of 7 toilet seats.
Estimated target price / unit cost information (if unavailable explain)	\$50/unit
When is it needed by?	Construction is scheduled to start in February of 2025.
Describe packaging requirements	Individually packaged.

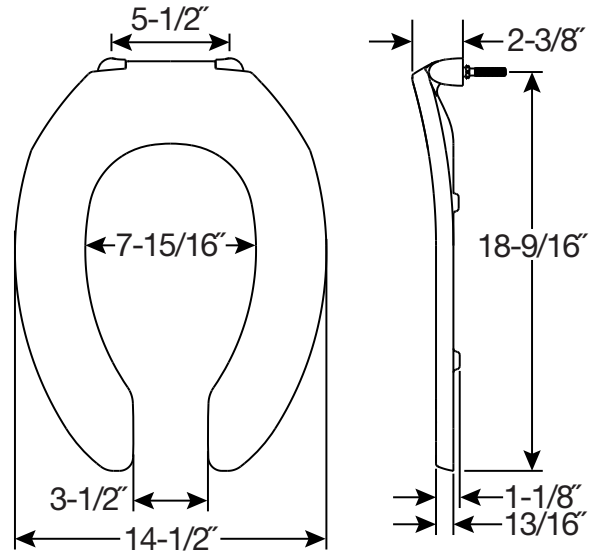
Where will this item be shipped?	Northfield, VT
----------------------------------	----------------

Additional Comments

Is there other information you would like to include?	see attached cut sheet for basis of design. For all inquiries regarding BABA Compliance, please reach out to Alya Staber (alya@jonesarch.com)
---	--

1955CT / 1955SSCT

COMMERCIAL HEAVY-DUTY
PLASTIC TOILET SEAT



FEATURES:

- **STA-TITE® Commercial Fastening System™**
Eliminates callbacks for loosened seats

SPECIFICATIONS:

Size: Elongated

Material: Plastic

Style: Open Front less Cover

Ring Bumpers: Four

Hinges: Plastic Non Self-Sustaining Check Hinges (1955CT) or Self-Sustaining Check Hinges (1955SSCT) with Non-Corroding 300 Series Stainless Steel Posts and Pintles

Hardware: STA-TITE® Commercial Fastening System™

Codes & Standards:



Complies with
IAPMO/ANSI Z124.5
Performance Standards
Heavy-Duty Commercial



Proudly Made in the USA

Eco-Friendly

