

# MEPNN Supplier Scouting Opportunity Synopsis

## Section 1: General Information

Scouting Number	2024-313
Item to be Scouted	Undermount Lavatory
Days to be scouted	45
Response Due By	11/23/2024
Description	Under counter sink made from vitreous china. Sink shall meet the requirements of Barrier Free.
Notify Requester Immediately	
State item to be used in	Vermont

## Section 2: Technical Information

Type of supplier being sought	Manufacturer
Reason	BABA
Describe the manufacturing processes (elaborate to provide as much detail as possible)	Factory manufactured fixture shall include the following components.  Under counter mounted sink shall be made from vitreous china and shall have an unglazed rim and a front overflow. Fixture shall include mounting kit.
Provide dimensions / size / tolerances / performance specifications for the item	Bowl size shall be 18" x 12" x 6 7/16" deep. See attached product data for performance specifications and equipment dimensions.
List required materials needed to make the product, including materials of product components	Fixture shall be made of vitreous china.
Are there applicable certification requirements?	Yes
Details	American Society of Mechanical Engineers (ASME) Canadian Standards Association (CSA)
Are there applicable regulations?	Yes
Details	Fixture needs to comply with the International Plumbing Code and ADA regulations.
Are there any other standards, requirements, etc.?	No
NAICS 1	332913 Plumbing fixture fitting and trim manufacturing
NAICS 2	
Additional Technical Comments	N/A

## Section 4: Business Information

Estimated potential business volume	This would be a onetime single purchase for roughly 6 fixtures.
Estimated target price / unit cost information (if unavailable explain)	\$300/unit
When is it needed by?	Construction is scheduled to start in February of 2025.
Describe packaging requirements	Individually packaged.

Where will this item be shipped?	Northfield, VT
----------------------------------	----------------

## Additional Comments

Is there other information you would like to include?

See attached cut sheet for the Basis of Design.

For all inquiries regarding BABA Compliance please contact:  
Alya Staber  
Jones Architecture  
alya@jonesarch.com

**Studio® Under Counter Sinks**

**0614.000 Unglazed Rim**

~~**0614.300 Glazed underside**~~

- Rectangular under counter mount sinks
- Made from vitreous china
- Unglazed rim
- Front overflow
- Supplied with mounting kit and template

**Nominal Dimensions:**

19-3/4" x 13-3/4"  
 (502 x 350mm)

**Bowl size:**

18" (457mm) wide  
 12" (305mm) front to back  
 6-7/16" (164mm) deep

**0618.000 Unglazed Rim**

**Nominal Dimensions:**

23-5/8" x 16-5/8"  
 (600 x 422mm)

**Bowl size:**

21-1/16" (535mm) wide  
 14" (356mm) front to back  
 6-1/4" (159mm) deep

**Compliance Certifications - Meets or Exceeds the Following Specifications:**

- ASME A112.19.2M for Vitreous China Fixtures
- CAN/CSA B45 series



SEE REVERSE FOR ROUGHING-IN DIMENSIONS

**To Be Specified:**

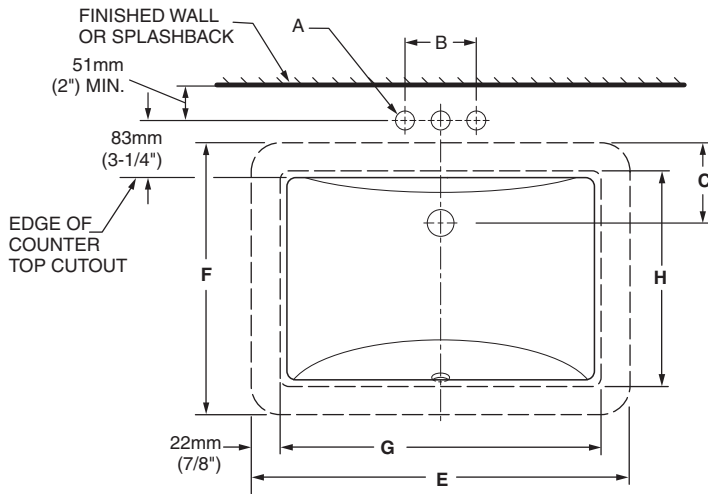
- Color:  White  Bone  Linen
- Faucet\*:
- Faucet Finish:
- Supplies:
- 1-1/4" Trap:

\* See faucet section for additional models available

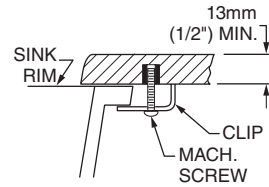


**MEETS THE AMERICANS WITH DISABILITIES ACT GUIDELINES AND ICC ANSI A117.1 ACCESSIBLE AND USABLE BUILDINGS AND FACILITIES - CHECK LOCAL CODES.**

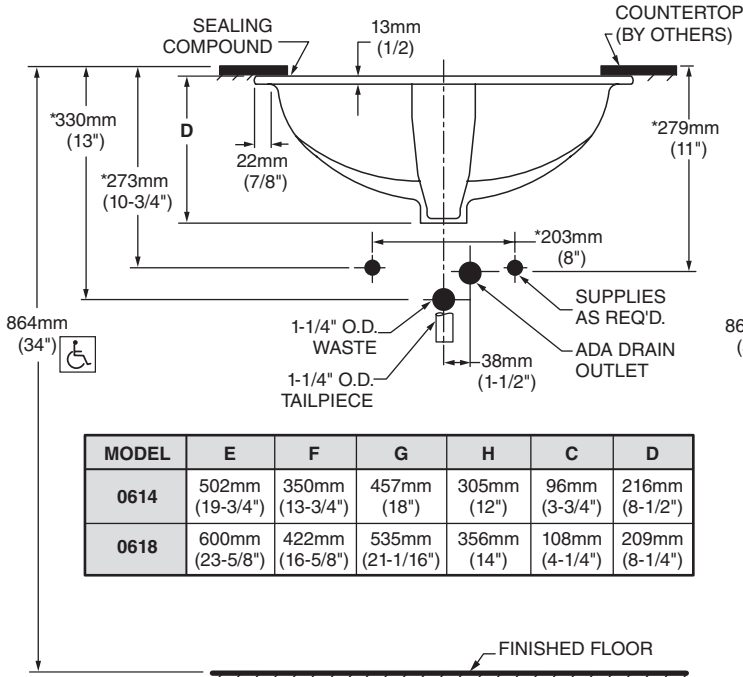
Install lavatory 864mm (34") from finished floor.  
 Lavatory installed 102mm (4") minimum from front edge of countertop provides 686mm (27") knee clearance area.



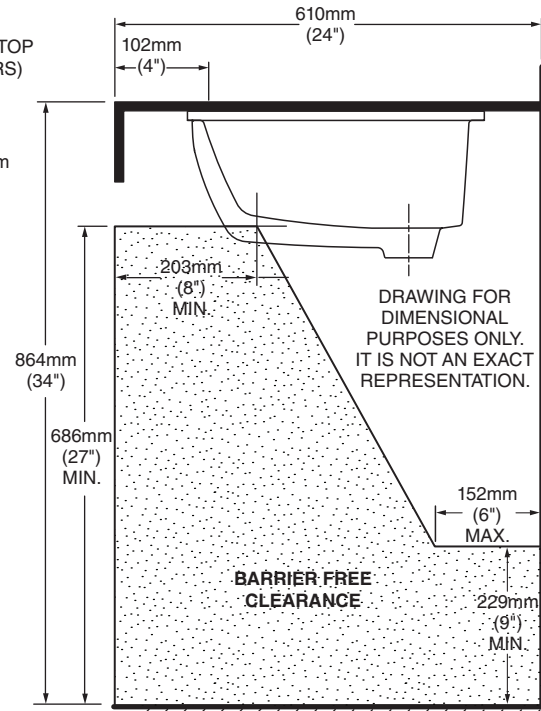
FITTING	A	B
CENTER-SET	1-1/16" (27mm)	4" (102mm)
SPREAD	1-1/4" (32mm)	8" (203mm)



REFER TO INSTRUCTIONS PROVIDED WITH KIT FOR ADDITIONAL INFORMATION



MODEL	E	F	G	H	C	D
0614	502mm (19-3/4")	350mm (13-3/4")	457mm (18")	305mm (12")	96mm (3-3/4")	216mm (8-1/2")
0618	600mm (23-5/8")	422mm (16-5/8")	535mm (21-1/16")	356mm (14")	108mm (4-1/4")	209mm (8-1/4")



**NOTES:**

INSTALL PRODUCT ACCORDING TO THE INSTALLATION INSTRUCTIONS. COUNTERTOP MANUFACTURER OR CUTTER MUST USE CUTOUT TEMPLATE PROVIDED WITH PRODUCT OR A CURRENT ONE PROVIDED BY AMERICAN STANDARD. AMERICAN STANDARD IS NOT RESPONSIBLE FOR CUTOUT ERRORS WHEN THE INCORRECT TEMPLATE IS USED.

\* DIMENSIONS SHOWN FOR LOCATION OF SUPPLIED AND "P" TRAP ARE SUGGESTED.

▼ UNDERCOUNTER MOUNTING KIT SUPPLIED WITH SINK.

FITTINGS NOT INCLUDED WITH FIXTURE AND MUST BE ORDERED SEPARATELY.

SEALING COMPOUND SUPPLIED BY OTHERS.

**IMPORTANT:** Dimensions of fixtures are nominal and may vary within the range of tolerances established by ANSI Standard A112.19.2.

These measurements are subject to change or cancellation. No responsibility is assumed for use of superseded or voided pages.