

MEPNN Supplier Scouting Opportunity Synopsis

Section 1: General Information

Scouting Number	2024-314
Item to be Scouted	Wall-Hung Lavatory
Days to be scouted	45
Response Due By	11/23/2024
Description	Wall-hung lavatory made from vitreous china. Sink shall meet the requirements of Barrier Free.
Notify Requester Immediately	
State item to be used in	Vermont

Section 2: Technical Information

Type of supplier being sought	Manufacturer
Reason	BABA
Describe the manufacturing processes (elaborate to provide as much detail as possible)	Factory manufactured fixture shall include the following components. Wall-hung lavatory shall be made of vitreous china and shall include a front overflow and self-draining deck area and a faucet ledge. Faucet holes shall be 4" on center and shall be supported by concealed arms.
Provide dimensions / size / tolerances / performance specifications for the item	See attached product data for performance specifications and equipment dimensions.
List required materials needed to make the product, including materials of product components	Fixture shall be made of vitreous china.
Are there applicable certification requirements?	Yes
Details	American Society of Mechanical Engineers (ASME) Canadian Standards Association (CSA)
Are there applicable regulations?	Yes
Details	Fixture needs to comply with the International Plumbing Code and ADA regulations.
Are there any other standards, requirements, etc.?	No
NAICS 1	332913 Plumbing fixture fitting and trim manufacturing
NAICS 2	
Additional Technical Comments	N/A

Section 4: Business Information

Estimated potential business volume	American Standard is one of the leading manufacturers for this type of fixture. This would be a one-time purchase for roughly 9 fixtures.
Estimated target price / unit cost information (if unavailable explain)	\$150/unit
When is it needed by?	Construction is scheduled to start in February of 2025.

Describe packaging requirements	Individually packaged.
Where will this item be shipped?	Northfield, VT

Additional Comments

Is there other information you would like to include?	<p>See attachment for basis of design information. For all inquiries regarding BABA compliance please contact:</p> <p>Alya Staber Jones Architecture alya@Jonesarch.com</p>
---	---

LUCERNE™ WALL-HUNG LAVATORY

- Wall-hung sink
- Vitreous china
- Front overflow
- D-shaped bowl
- Self-draining deck area with contoured back and side splash shields
- Faucet ledge
- Compliant with Texas accessibility standard (TAS) for children age group 13 and up

Faucet holes on 203mm (8") centers (Illus.):

- 0356.028** For exposed bracket support
Shown with 4801.862 Amaris Heritage faucet with Triune Cross handles (not included)
- 0356.015** For wall hanger (included) or concealed arms support
- 0356.915** For wall hanger (included) or concealed arms support
 - Less overflow

Faucet holes on 102mm (4") centers:

- 0355.027** For exposed bracket support
- 0355.012** For wall hanger (included) or concealed arms support
- 0355.912** For wall hanger (included) or concealed arms support
 - Less overflow

Single center faucet hole (Illus.):

- 0356.041** For exposed bracket support
Shown with 1340.000 metering faucet (not included)
- 0356.421** For wall hanger (included) or concealed arms support
- 0356.921** For wall hanger (included) or concealed arms support
 - Less overflow
- 0356.439** For wall hanger (included) or concealed arms support
 - Single faucet hole on right
- 0356.066** For exposed bracket support
 - Single faucet hole on right

Nominal Dimensions:

521 x 464mm
 (20-1/2" x 18-1/4")

Bowl sizes:

381mm (15") wide
 254mm (10") front to back
 165mm (6-1/2") deep

Compliance Certifications -

Meets or Exceeds the Following Specifications:

- ASME A112.19.2 / CSA B45.1 for Vitreous China Fixtures



0356.028



0356.041

SEE FOLLOWING PAGES FOR ROUGHING-IN DIMENSIONS

To Be Specified:

- Color: White
- Faucet*:
- Faucet Finish:
- Supplies:
- 1-1/4" Trap:
- Nipple:
- Bracket Support (by others):
- Concealed Arms Support (by others):

* See faucet section for additional models available

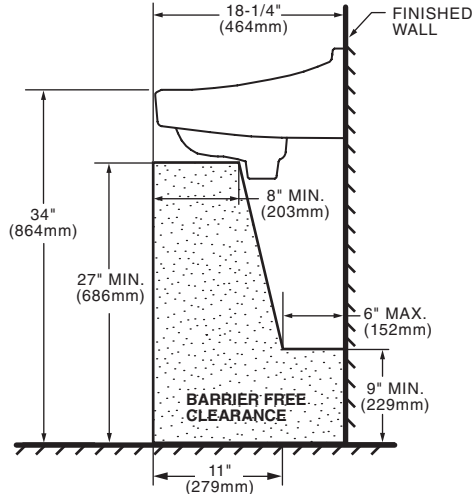
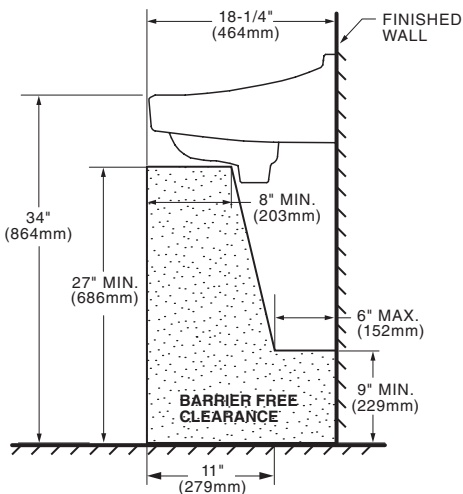
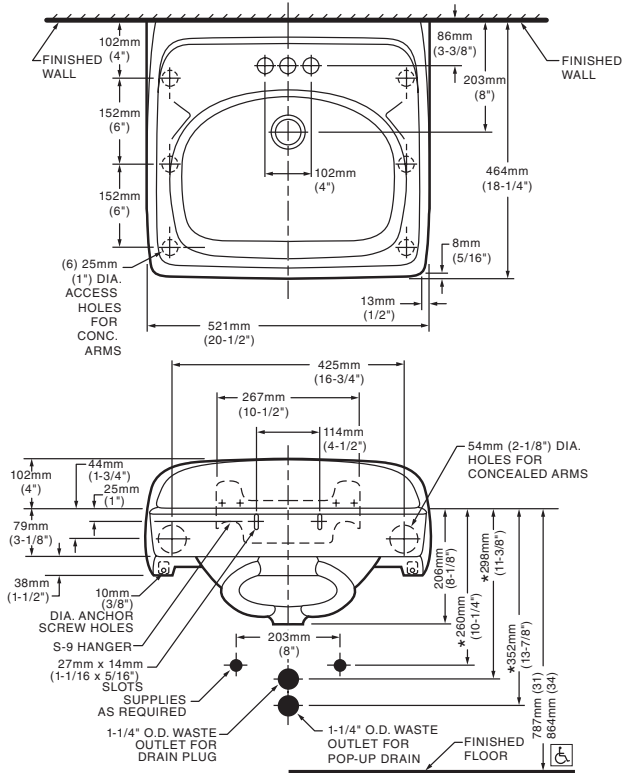
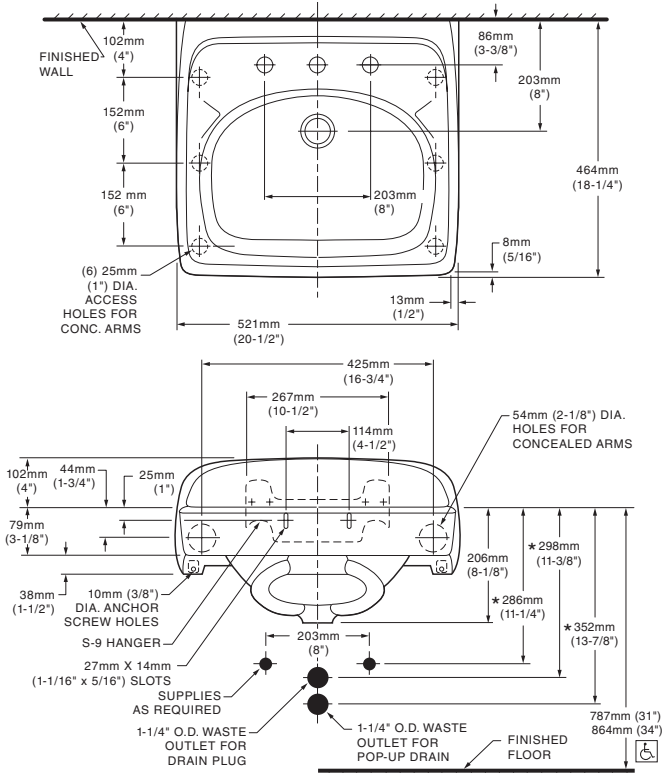


MEETS THE AMERICANS WITH DISABILITIES ACT GUIDELINES AND ANSI A117.1 ACCESSIBLE AND USABLE BUILDINGS AND FACILITIES - CHECK LOCAL CODES.
 Top of front rim mounted 864mm (34") from finished floor.

BARRIER FREE

- 0356.028 8" CTRS FOR EXPOSED BRACKET SUPPORT
- 0356.015 8" CTRS FOR WALL HANGER OR CONCEALED ARMS
- 0356.915 LESS OVERFLOW

- 0355.021 4" CTRS FOR EXPOSED BRACKET SUPPORT
- 0355.012 4" CTRS FOR WALL HANGER OR CONCEALED ARMS
- 0355.912 LESS OVERFLOW



NOTES:
 * DIMENSIONS SHOWN FOR LOCATION OF SUPPLIES AND "P" TRAP ARE SUGGESTED.
 PROVIDE SUITABLE REINFORCEMENT FOR ALL WALL SUPPORTS.
 FITTINGS NOT INCLUDED AND MUST BE ORDERED SEPARATELY.
 CONCEALED ARM SUPPORT AS REQUIRED TO BE FURNISHED BY OTHERS.

IMPORTANT: Dimensions of fixtures are nominal and may vary within the range of tolerances established by ANSI Standard A112.19.2. These measurements are subject to change or cancellation. No responsibility is assumed for use of superseded or voided pages.

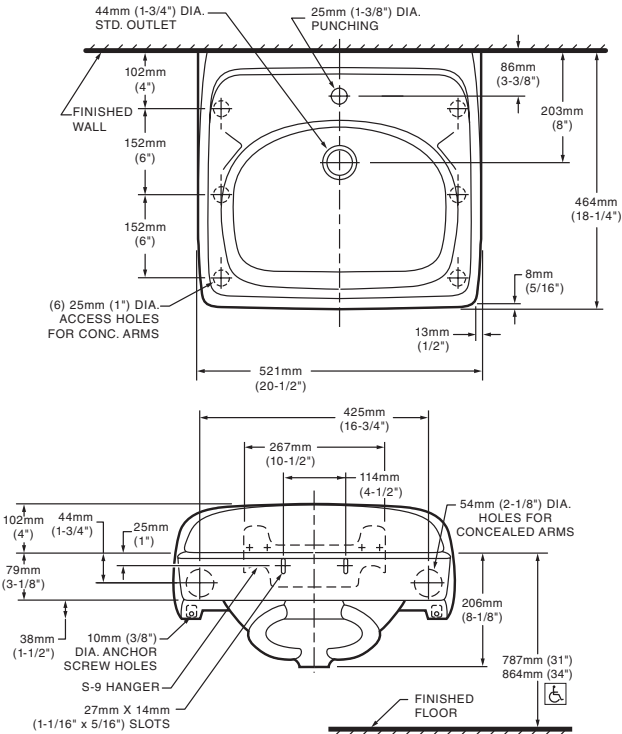
LAVATORY DESIGNED TO MEET ADA HANDICAPPED GUIDELINES WITH MOUNTING HEIGHT SET AT 864MM (34") ABOVE FINISHED FLOOR.

BARRIER FREE

0356.041 SINGLE CENTER HOLE FOR EXPOSED BRACKET SUPPORT

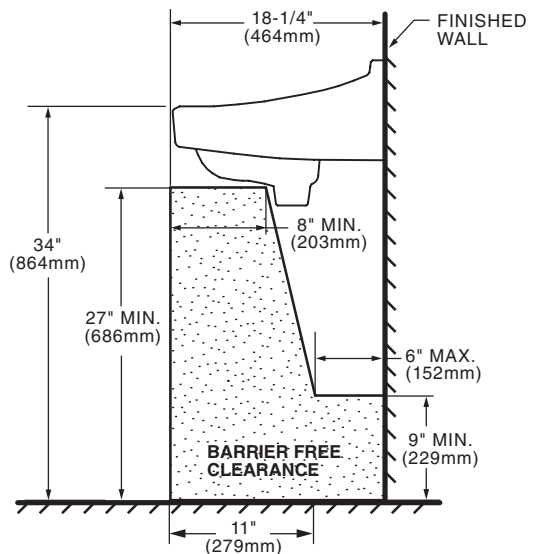
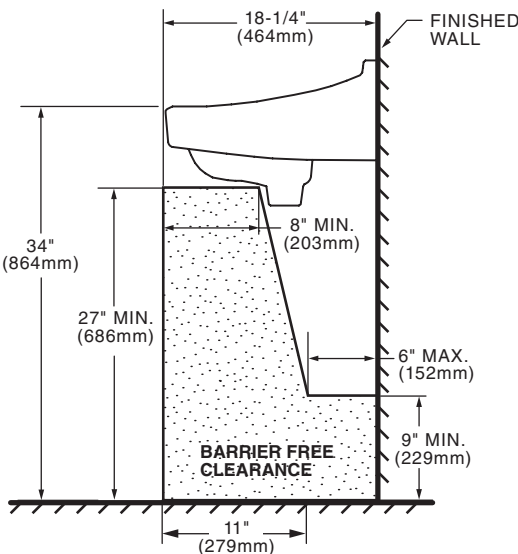
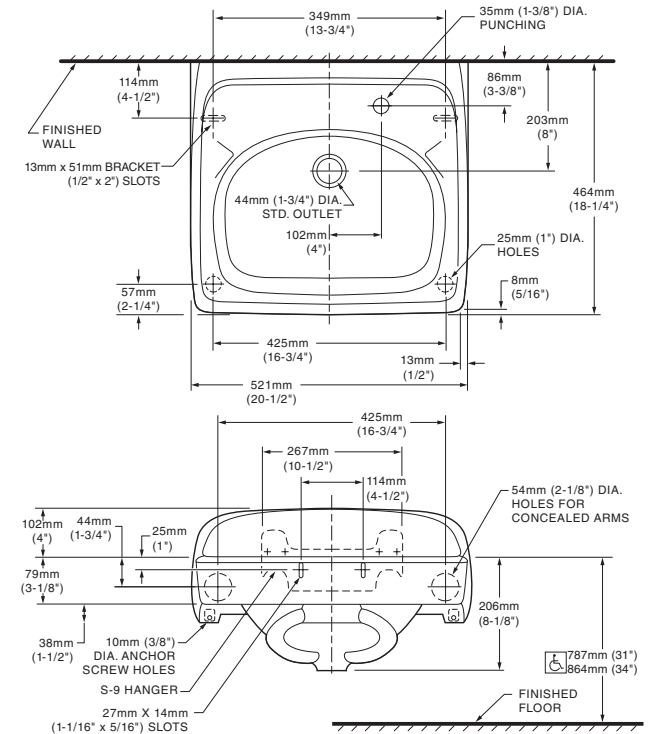
0356.421 SINGLE CENTER HOLE FOR WALL HANGER OR CONCEALED ARMS

0356.921 LESS OVERFLOW



0356.439 SINGLE CENTER HOLE ON RIGHT FOR WALL HANGER OR CONCEALED ARMS

0356.066 SINGLE CENTER HOLE ON RIGHT FOR EXPOSED BRACKET SUPPORT



NOTES:
* DIMENSIONS SHOWN FOR LOCATION OF SUPPLIES AND "P" TRAP ARE SUGGESTED.
PROVIDE SUITABLE REINFORCEMENT FOR ALL WALL SUPPORTS.
FITTINGS NOT INCLUDED AND MUST BE ORDERED SEPARATELY.
CONCEALED ARM SUPPORT AS REQUIRED TO BE FURNISHED BY OTHERS.

IMPORTANT: Dimensions of fixtures are nominal and may vary within the range of tolerances established by ANSI Standard A112.19.2. These measurements are subject to change or cancellation. No responsibility is assumed for use of superseded or voided pages.

LAVATORY DESIGNED TO MEET ADA HANDICAPPED GUIDELINES WITH MOUNTING HEIGHT SET AT 864MM (34") ABOVE FINISHED FLOOR.