

# MEPNN Supplier Scouting Opportunity Synopsis

## Section 1: General Information

Scouting Number	2024-315
Item to be Scouted	Single Lever Filtered Beverage Faucet.
Days to be scouted	45
Response Due By	11/23/2024
Description	Single lever faucet to dispense filtered drinking water. Faucet to include water filter designed to reduce lead, particles, chlorine, odors, color and microplastics. Faucet shall be manufactured to be ADA compliant which allows it to be used by someone with disabilities.
Notify Requester Immediately	
State item to be used in	Vermont

## Section 2: Technical Information

Type of supplier being sought	Manufacturer
Reason	BABA
Describe the manufacturing processes (elaborate to provide as much detail as possible)	<p>Factory manufactured beverage faucet with filter shall include the following components.</p> <p>Faucet shall be manufactured to dispense drinking water for an end user. Faucet shall include a manually operated lever handle to turn the water on and off. The faucet shall include a gooseneck spout that can swivel 360-degrees. The faucet shall be manufactured to be installed on a countertop adjacent to a sink. Faucet shall meet the requirements of lead free.</p> <p>Filter shall be manufactured to be supplied by domestic cold water to serve the faucet. Filter housing shall have a replaceable filter cartridge equipped with a ¼ turn installation along with an automatic inlet shut-off valve that closes when the filter is removed. Filter shall be manufactured to be installed below counter where faucet is located. Filter shall meet the requirements of lead free.</p>
Provide dimensions / size / tolerances / performance specifications for the item	See attached product data for performance specifications and equipment dimensions.
List required materials needed to make the product, including materials of product components	Faucet shall be made of brass with chrome finish. Faucet valve shall have a ceramic disc. Filter shall be manufactured to reduce lead, particles, chlorine, odors, color and microplastics.
Are there applicable certification requirements?	Yes
Details	Americans With Disabilities Act (ADA) International Code Council (ICC) American Society of Mechanical Engineers (ASME) National Sanitation Foundation (NSF)
Are there applicable regulations?	Yes
Details	Fixture needs to comply with the International Plumbing Code and ADA regulations and shall be certified lead free by the NSF.
Are there any other standards, requirements, etc.?	No
NAICS 1	332913 Plumbing fixture fitting and trim manufacturing
NAICS 2	

Additional Technical Comments	N/A
-------------------------------	-----

## Section 4: Business Information

Estimated potential business volume	This would be a single one-time purchase for one dual height fixture.
Estimated target price / unit cost information (if unavailable explain)	\$500/unit
When is it needed by?	Construction is scheduled to start in February of 2025.
Describe packaging requirements	Individually packaged.
Where will this item be shipped?	Northfield, VT

## Additional Comments

Is there other information you would like to include?	<p>see attached cut sheets for basis of design information. For all BABA Compliance related questions please contact:</p> <p>Alya Staber Jones Architecture alya@jonesarch.com</p>
---	--

### PRODUCT SPECIFICATIONS

Elkay Avado<sup>®</sup> Single Lever Filtered Beverage Faucet. Faucet is made of Brass material, with a Ceramic Disc valve. Faucet requires 1 faucet holes.

<b>Mounting Type:</b>	Deck Mount
<b>Finish:</b>	Chrome (CR), Lustrous Steel (LS), Matte Black (MB)
<b>Handle Type:</b>	Lever Handle
<b>Deck Clearance:</b>	9-5/16"
<b>Spout Reach:</b>	6"
<b>Spout Height:</b>	12-15/16"
<b>Hole Drillings:</b>	1
<b>Material:</b>	Brass
<b>Valve Type:</b>	Ceramic Disc
<b>Valve Connection:</b>	1/2"-14 NPSM
<b>Flow Rate:</b>	
<b>Faucet Hole Size (min):</b>	1-1/2"
<b>Countertop Thickness:</b>	2-1/2"
<b>Spout Swing Rotation:</b>	360°
<b>Spout Type:</b>	Gooseneck



#### Included with Product: Faucet with Filter ERF750

A Century of Tradition and Quality. For more than 100 years, Elkay has been making innovative products and providing exceptional customer care. We take pride in offering plumbing products that make life easier, inspire change and leave the world a better place.

**Product Compliance:** ADA & ICC A117.1  
ASME A112.18.1/CSA B125.1  
NSF 61 (Q≤1)  
NSF 372 (lead free)

**Accessory:** NSF 42  
NSF 53  
NSF 401



Complies with ADA & ICC A117.1 accessibility requirements when installed according to the requirements outlined in these standards.

[Clean and Care Manual \(PDF\)](#)  
[Installation Instructions \(PDF\) - 200000477](#)  
[Warranty \(PDF\)](#)

PART: \_\_\_\_\_ QTY: \_\_\_\_\_

PROJECT: \_\_\_\_\_

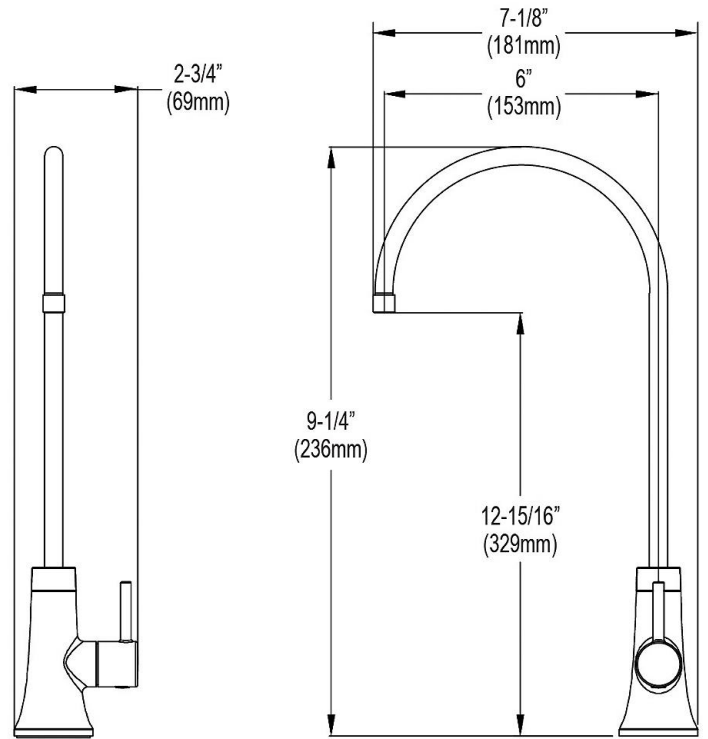
CONTACT: \_\_\_\_\_

DATE: \_\_\_\_\_

NOTES: \_\_\_\_\_

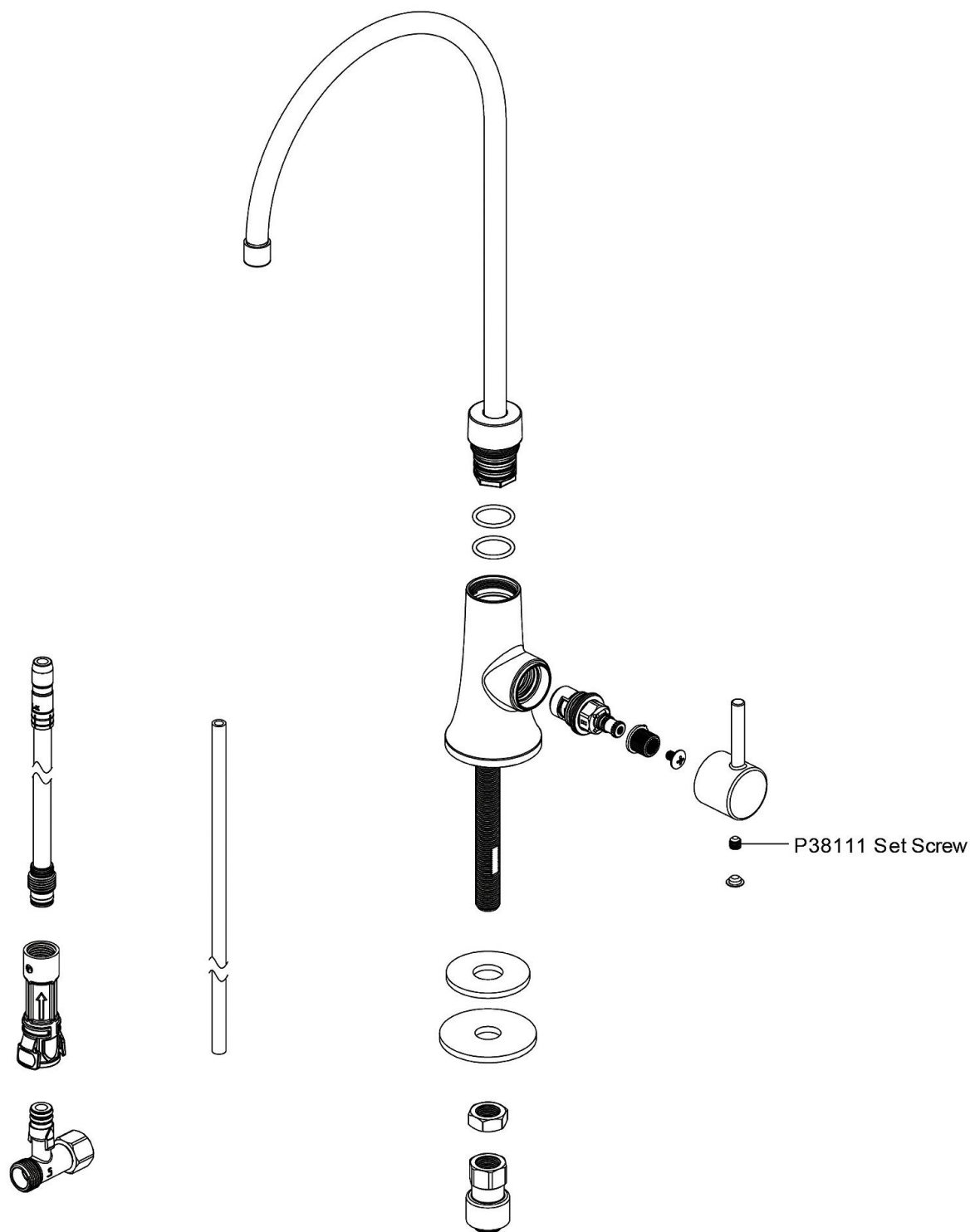
APPROVAL: \_\_\_\_\_

*In keeping with our policy of continuing product improvement, Elkay reserves the right to change product specifications without notice. Please visit [elkay.com](http://elkay.com) for the most current version of Elkay product specification sheets. This specification describes an Elkay product with design, quality, and functional benefits to the user. When making a comparison of other producers' offerings, be certain these features are not overlooked.*



Included Accessories		
<a href="#">ERF750</a>	Elkay® 750-gallon Residential Replacement Filter <a href="#">Spec Sheet (PDF)</a>	

*In keeping with our policy of continuing product improvement, Elkay reserves the right to change product specifications without notice. Please visit [elkay.com](http://elkay.com) for the most current version of Elkay product specification sheets. This specification describes an Elkay product with design, quality, and functional benefits to the user. When making a comparison of other producers' offerings, be certain these features are not overlooked.*



*In keeping with our policy of continuing product improvement, Elkay reserves the right to change product specifications without notice. Please visit [elkay.com](http://elkay.com) for the most current version of Elkay product specification sheets. This specification describes an Elkay product with design, quality, and functional benefits to the user. When making a comparison of other producers' offerings, be certain these features are not overlooked.*

**PRODUCT SPECIFICATIONS**

WaterSentry<sup>®</sup> Lead + Microplastics NSF/ANSI Certified Residential Filter (ezH2O Liv & Filtered Faucet). Overall dimensions are 3-1/8" x 3-1/8" x 9-1/2".

<b>Special Features:</b>	Filtered
<b>Dimensions:</b>	3-1/8" x 3-1/8" x 9-1/2"
<b>Shipping Weight:</b>	1 lbs.
<b>Flow Rate:</b>	1.5 GPM (5.6 L/m)
<b>Capacity:</b>	750 gal. (2839 L)
<b>Temperature:</b>	40-100°F (4-38°C)
<b>Initial Pressure Drop:</b>	2-5 PSI (14-34 kPa)
<b>Maximum Pressure:</b>	105 PSI (724 kPa)
<b>Minimum Pressure:</b>	20 PSI (138 kPa)
<b>Water Inlet:</b>	3/8" (9.5mm) O.D. tube
<b>Water Outlet:</b>	1/4" (6.4mm) O.D. tube

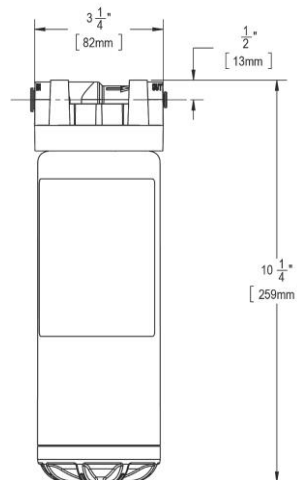
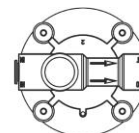
**Special Note:** Replacement filter for use in ezH2O Bottle Filling Stations, Liv Water Dispensers, and Filtered Faucets.

- Replacement filter for residential filtration products.
- Filter should be replaced every 750 gallons or 1 year after installation.
- Equipped with quick-disconnect, 1/4-turn installation, as well as automatic inlet shut-off valve that closes when filter is removed.
- Designed to reduce lead, particles and chlorine. Also reduces odors and discoloration from incoming water.
- Filter is tested and certified to NSF 42 and 53 for lead, Class 1 particulate, chlorine taste and odor reduction.
- Filter is tested and certified to NSF/ANSI 401 for the reduction of microplastics.



A Century of Tradition and Quality.  
For more than 100 years, Elkay has been making innovative products and providing exceptional customer care. We take pride in offering plumbing products that make life easier, inspire change and leave the world a better place.

**Product Compliance:** NSF 372 (lead free)  
NSF 42  
NSF 53  
NSF 401



PART: \_\_\_\_\_ QTY: \_\_\_\_\_  
 PROJECT: \_\_\_\_\_  
 CONTACT: \_\_\_\_\_  
 DATE: \_\_\_\_\_  
 NOTES: \_\_\_\_\_  
 APPROVAL: \_\_\_\_\_

*In keeping with our policy of continuing product improvement, Elkay reserves the right to change product specifications without notice. Please visit [elkay.com](http://elkay.com) for the most current version of Elkay product specification sheets. This specification describes an Elkay product with design, quality, and functional benefits to the user. When making a comparison of other producers' offerings, be certain these features are not overlooked.*