

# MEPNN Supplier Scouting Opportunity Synopsis

## Section 1: General Information

|                              |   |
|------------------------------|---|
| Scouting Number              | 2024-316  |
| Item to be Scouted           | Sink Faucet   |
| Days to be scouted           | 45  |
| Response Due By              | 11/23/2024  |
| Description                  | Hot and cold water faucet to dispense domestic water. Faucet shall be manufactured to be Americans with Disabilities Act (ADA) compliant which allows it to be used by someone with disabilities. Water supplies shall have 8" centers. |
| Notify Requester Immediately |   |
| State item to be used in     | Vermont   |

## Section 2: Technical Information

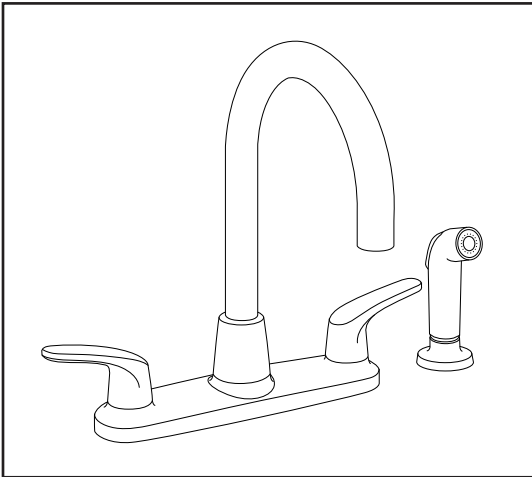
|   |  |
|---|--|
| Type of supplier being sought   | Manufacturer   |
| Reason  | BABA   |
| Describe the manufacturing processes (elaborate to provide as much detail as possible)        | Factory manufactured fixture shall include the following components.<br><br>Faucet shall be manufactured to dispense domestic water for an end user. Faucet shall include manually operated hot and cold water lever handles to turn the water on and off. The faucet shall include a swivel gooseneck spout. The faucet shall be manufactured to be installed on a countertop adjacent to a sink. Faucet shall meet the requirements of lead free and shall have a 1.0 gpm maximum flow rate aerator. |
| Provide dimensions / size / tolerances / performance specifications for the item              | See attached product data for performance specifications and equipment dimensions.   |
| List required materials needed to make the product, including materials of product components | Fixture shall be made of metal with chrome finish. ¼ turn washer less ceramic disc valve cartridges. High-arc brass swivel spout and metal lever handles.  |
| Are there applicable certification requirements?  | Yes  |
| Details   | American National Standards Institute (ANSI)<br>American Society of Mechanical Engineers (ASME)<br>Canadian Standards Association (CSA)<br>National Sanitation Foundation (NSF)  |
| Are there applicable regulations?   | Yes  |
| Details   | Fixture needs to comply with the International Plumbing Code and ADA regulations and shall be certified lead free by the NSF.  |
| Are there any other standards, requirements, etc.?  | No   |
| NAICS 1   | 332913 Plumbing fixture fitting and trim manufacturing   |
| NAICS 2   |  |
| Additional Technical Comments   |  |

## Section 4: Business Information

|   |   |
|---|---|
| Estimated potential business volume                                     | American Standard is one of the leading manufacturers for this type of fixture. This would be a single one-time purchase of roughly 7 fixtures. |
| Estimated target price / unit cost information (if unavailable explain) | \$150/unit  |
| When is it needed by?   | Construction is scheduled to start in February of 2025.   |
| Describe packaging requirements   | Individually packaged.  |
| Where will this item be shipped?  | Northfield VT   |

## Additional Comments

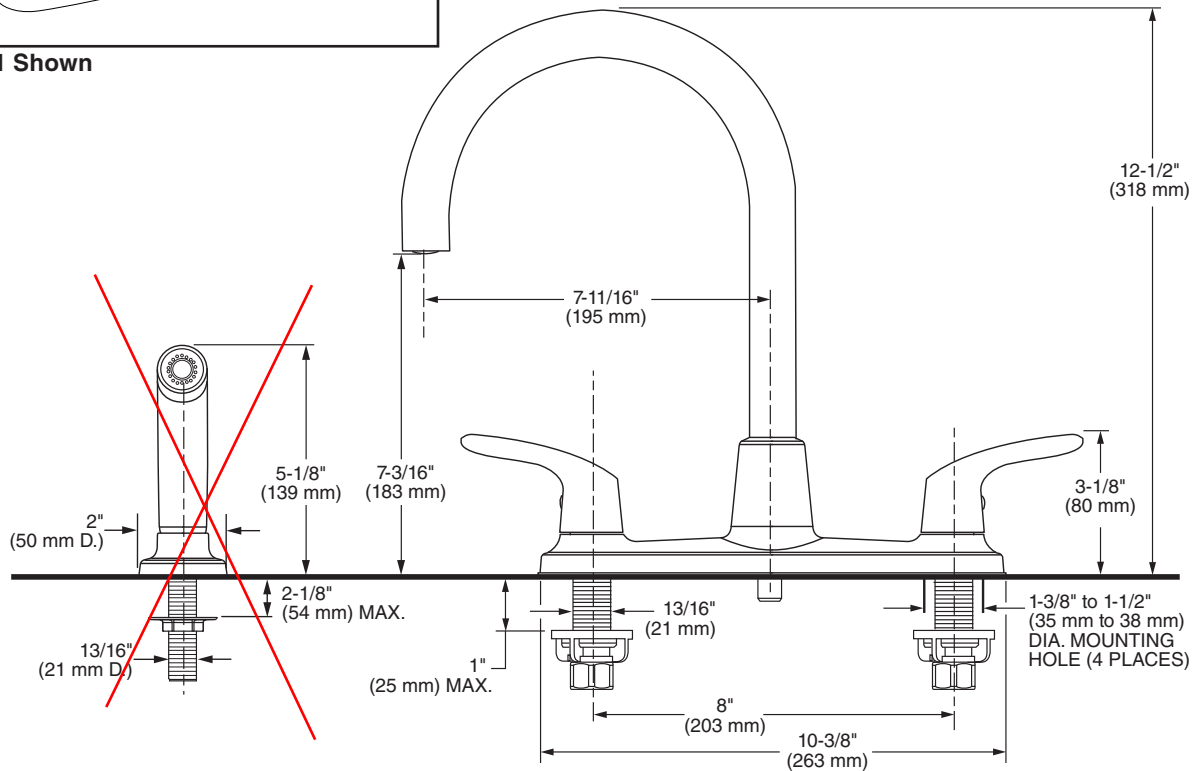
|   |  |
|---|--|
| Is there other information you would like to include? | See attached cut sheet for additional information. For all BABA related questions please contact:<br><br>Alya Staber<br>Jones Architecture<br>alya@jonesarch.com |
|---|--|



7074.551 Shown

**MODEL NUMBER:**

- 7074.550 Kitchen Faucet**  
Lever handles. Less handspray.
- ~~**7074.551 Kitchen Faucet**  
Lever handles. Separate color-matched side-spray.~~



**GENERAL DESCRIPTION:**

Durable metal construction. 1/4 turn washerless ceramic disc valve cartridges with one-half inch male inlet shanks. High-arc brass swivel spout and metal lever handles. Color-matched side spray. 1.0 gpm/3.8 L/min. maximum flow rate.

**PRODUCT FEATURES:**

- Ceramic Disc Valve Cartridge:** Assures a lifetime of drip-free performance.
- Lead Free:** Faucet contains  $\leq 0.25\%$  total lead content by weighted average.
- Simple Installation:** Fast and easy one person installation. Faucet drops in from top. Quick spin nuts secure faucet in place.



ADA COMPLIANT

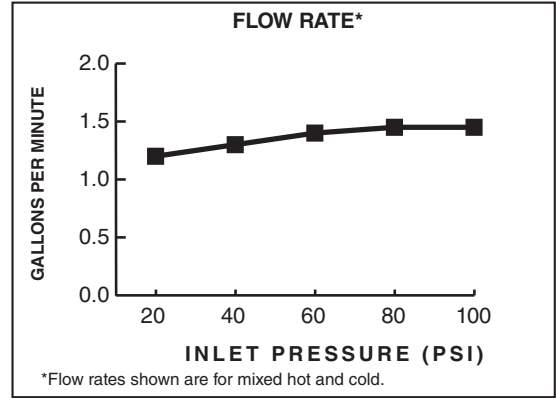
**SUGGESTED SPECIFICATION**

Two handle kitchen faucet shall feature metal construction with one-half inch male inlet shanks and high-arc brass swivel spout. Shall also feature 1/4 turn washerless ceramic disc valve cartridges. Faucet shall be American Standard Model #7074.55\_\_\_\_.

**CODES AND STANDARDS**

These products meet or exceed the following codes and standards:

- ANSI A117.1**
- ASME A112.18.1**
- CSA B125.1**
- NSF 61/Section 9**
- NSF 372**



**1.5 gpm/5.7 L/min. FLOW RATE**

| Product Number | Description   | Finish Options |
|----------------|---|----------------|
|                |   | 002            |
| 7074.550       | Kitchen faucet. Lever handles. LESS handspray.                    |                |
| 7074.551       | Kitchen faucet. Lever handles. Separate color-matched side-spray. |                |

 Meets the American Disabilities Act Guidelines and **ANSI A117.1** Requirements for the physically challenged.