

MEPNN Supplier Scouting Opportunity Synopsis

Section 1: General Information

Scouting Number	2024-318
Item to be Scouted	Mop Sink Faucet
Days to be scouted	45
Response Due By	11/23/2024
Description	Hot and cold water faucet to dispense domestic water to a mop sink. Faucet shall include integral vacuum breaker to prevent backflow and a pail hook.
Notify Requester Immediately	
State item to be used in	Vermont

Section 2: Technical Information

Type of supplier being sought	Manufacturer
Reason	BABA
Describe the manufacturing processes (elaborate to provide as much detail as possible)	Factory manufactured fixture shall include the following components. Faucet shall be manufactured to dispense domestic water to a mop sink. Faucet shall include manually operated hot and cold water cross handles to turn the water on and off. The faucet shall include a vacuum breaker, integral stops and a pail hook. Cross handles shall be vandal-resistant with color coded indexes. Faucet shall have 8" fixed centers with threaded brass wall flanges. Nozzle shall have 3/4" hose thread.
Provide dimensions / size / tolerances / performance specifications for the item	See attached product data for performance specifications and equipment dimensions.
List required materials needed to make the product, including materials of product components	Fixture shall be made of chrome plated brass, 1/4 turn ceramic cartridges and brass top brace assembly with wall flange and mounting screws.
Are there applicable certification requirements?	Yes
Details	American Society of Mechanical Engineers (ASME) American Society of Safety Engineers (ASSE) Universal Product Code (UPC)
Are there applicable regulations?	Yes
Details	Fixture needs to comply with the International Plumbing Code.
Are there any other standards, requirements, etc.?	No
NAICS 1	332913 Plumbing fixture fitting and trim manufacturing
NAICS 2	
Additional Technical Comments	

Section 4: Business Information

Estimated potential business volume	This would be a single one-time purchase for roughly 1 fixture.
Estimated target price / unit cost information (if unavailable explain)	\$250/unit

When is it needed by?	Construction is scheduled to start in February of 2025.
Describe packaging requirements	Individually packaged.
Where will this item be shipped?	Northfield, VT

Additional Comments

Is there other information you would like to include?	see attached cut sheet for basis of design. For all BABA related questions please contact: Alya Staber Jones Architecture alya@jonesarch.com
---	---

Commander® Utility Sink Faucet

MODELS:

- SC-5811: Polished chrome plated utility sink
- ~~SC-5811-RCP: Rough polished chrome plated utility sink~~

FEATURES:

- Chrome plated cast brass construction
- Cast brass nozzle with 3/4" hose thread and pail hook
- Integral stops allow water shut off for servicing
- Brass vacuum breaker to prevent backflow
- 1/4 turn ceramic cartridges to ensure drip-free performance
- Vandal-resistant cross handles with color-coded indexes
- 9" from finished wall to nozzle outlet
- 8" fixed centers with adjustable threaded brass wall flanges allows 1/4" +/- adjustments
- 1/2" -14 NPT female inlets (supply lines not included)
- Brass top brace assembly with wall flange and mounting screws

HANDLE/HOSE ADD-ONS:

- A-4WRIST: 4" wrist blade handle kit
- A-5H: 5' vinyl hose with wall hook

SAFETY ADD-ONS:

- SEF-9200: Eyesaver® Drench Hose Attachment

FAUCET ADD-ONS:

- A-CK: Check valves in swivel assembly

STANDARDS:

- ASME A112.18.1/CSA B125.1 certified
- ASSE 1001 certified

WARRANTY:

Visit www.speakman.com for full product warranty information

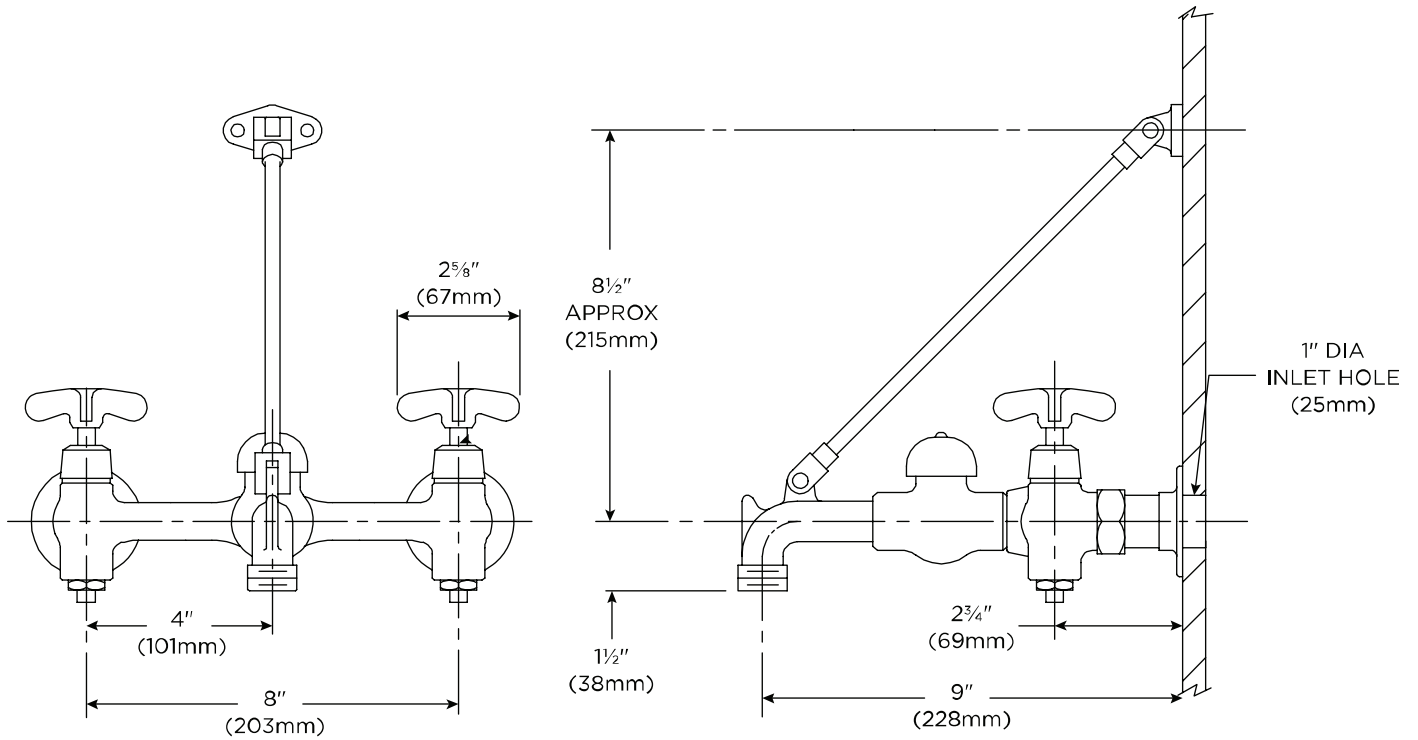
- 5 Year Limited Warranty (commercial)
- 5 Year Limited Warranty (residential)



Information continues on next page

1. All dimensions are in inches (millimeters) unless otherwise specified and are subject to change without notice. 2. Inlets are 1/2" NPT female.

Commander® Utility Sink Faucet



1. All dimensions are in inches (millimeters) unless otherwise specified and are subject to change without notice.

Architect/Engineer Approval Space:

P: 800-537-2107
F: 800-977-2747
W: WWW.SPEAKMAN.COM
R: 02-NOVEMBER 2019