

MEPNN Supplier Scouting Opportunity Synopsis

Section 1: General Information

Scouting Number	2024-319
Item to be Scouted	Interior Hose Bibb
Days to be scouted	45
Response Due By	11/23/2024
Description	Interior hose bibb used to dispense cold water. Fixture shall be installed recessed within a narrow wall cavity for a flush appearance. Fixture shall include an adjustable stainless-steel box with hinged cover, cylinder lock and "WATER" stamped on cover.
Notify Requester Immediately	
State item to be used in	Vermont

Section 2: Technical Information

Type of supplier being sought	Manufacturer
Reason	BABA
Describe the manufacturing processes (elaborate to provide as much detail as possible)	Factory manufactured fixture shall include the following components. Fixture shall include a bronze body, all bronze interior parts and a replaceable seat washer, screwdriver operated stop valve, key operated control valve and 3/4" IP female inlet and 3/4" male hose connection. Fixture shall include factory provided adaptor vacuum breaker.
Provide dimensions / size / tolerances / performance specifications for the item	See attached product data for performance specifications and equipment dimensions.
List required materials needed to make the product, including materials of product components	Fixture shall be made of bronze with stainless steel box and hinged cover. Fixture shall be manufactured for a recessed installation.
Are there applicable certification requirements?	No
Are there applicable regulations?	Yes
Details	Fixture needs to comply with the International Plumbing Code. https://codes.iccsafe.org/content/IPC2024P1
Are there any other standards, requirements, etc.?	No
NAICS 1	332913 Plumbing fixture fitting and trim manufacturing
NAICS 2	
Additional Technical Comments	

Section 4: Business Information

Estimated potential business volume	Zurn is one of the leading manufacturers for this type of fixture. This would be a single one-time purchase of roughly 2 interior hose bibbs.
Estimated target price / unit cost information (if unavailable explain)	\$1,500/unit
When is it needed by?	Construction is scheduled to start in February of 2025.

Describe packaging requirements	Individually packaged.
Where will this item be shipped?	Northfield, VT

Additional Comments

Is there other information you would like to include?	<p>see attached cut sheet for basis of design. For all BABA related questions please contact:</p> <p>Alya Staber Jones Architecture alya@jonesarch.com</p>
---	--

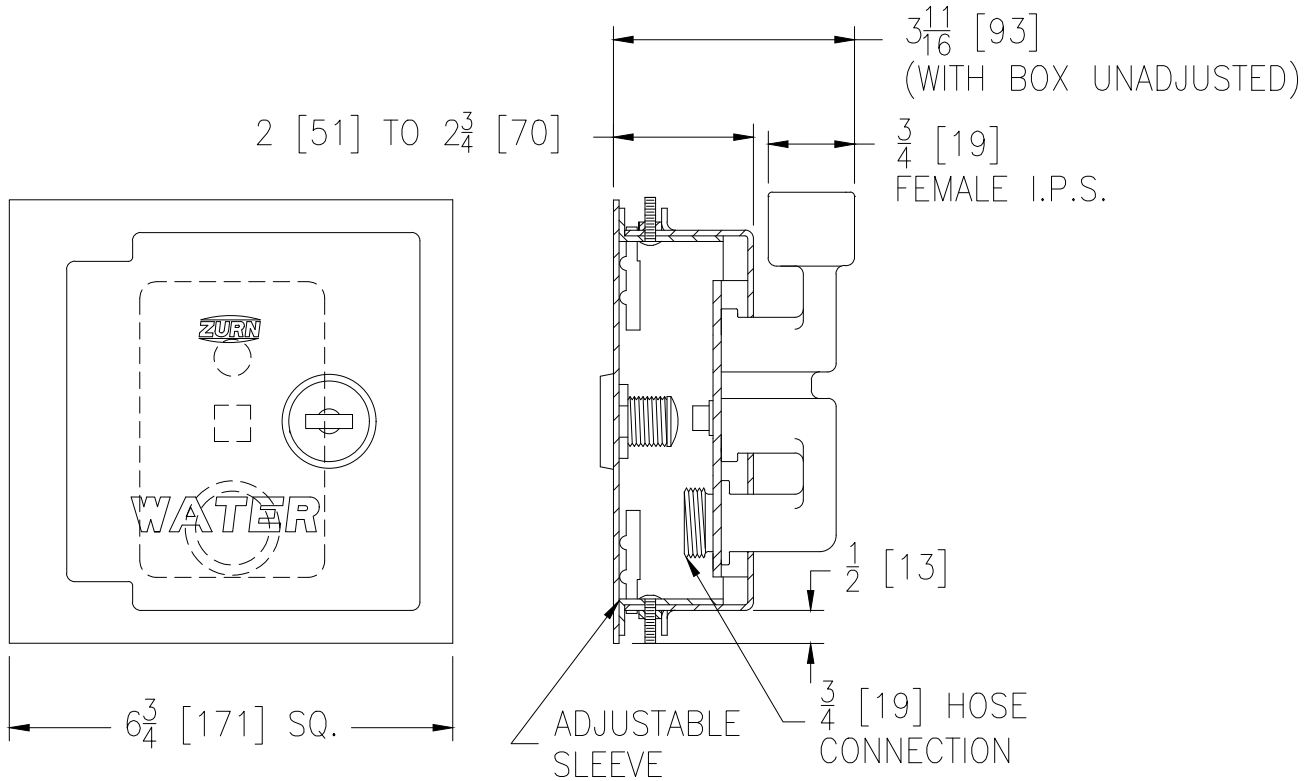


Z1350
NARROW WALL HYDRANT
 Encased, Moderate Climate

SPECIFICATION SHEET

TAG _____

Design and Dimensional Data (inches and [mm]) are Subject to Manufacturing Tolerances and Change Without Notice



Wall Thickness In. [mm]	Approx. Wt. Lbs. [kg]
4 [102]	4 [2]

ENGINEERING SPECIFICATION: Z1350 Encased moderate climate wall hydrant for narrow wall installation. Complete with bronze body, all bronze interior parts, replaceable seat washer, screwdriver operated stop valve in supply, key operated control valve, and 3/4 [19] IP female inlet and 3/4 [19] male hose connection standard. Adjustable stainless steel box furnished with hinged cover, cylinder lock and "WATER" stamped on cover.

OPTIONS (Check/specify appropriate options)

SUFFIXES

- ___ -RK Hydrant Parts Repair Kit
- ___ -VB 3/4 [19] Adapter Vacuum Breaker
- ___ -34EL 3/4 [19] IP 90° Inlet Elbow Adapter
- ___ -34FS 3/4 [19] Solder Female Inlet Adapter

****NOTE:** The adjustable sleeve on the stainless steel box is provided with a gasket as standard, but additional caulking of all inside joints is required (by others) after the hydrant box has been properly set. Caulking should be performed on all open seams, including the seams where the gasket is present.

- ⚠ **WARNING:** Cancer and Reproductive Harm - www.P65Warnings.ca.gov
- ⚠ **ADVERTENCIA:** Cáncer y daño reproductivo - www.P65Warnings.ca.gov
- ⚠ **AVERTISSEMENT:** Cancer et effets néfastes sur la reproduction - www.P65Warnings.ca.gov

Zurn Industries, LLC | Specification Drainage Operation
 1801 Pittsburgh Avenue, Erie, PA 16502, Ph. 855.663.9876

In Canada | Zurn Industries Limited
 7900 Goreway Drive, Unit 10, Brampton, Ontario L6T 5W6, Ph. 877.892.5216

www.zurn.com

Rev. K
 Date: 01/17/23
 C.N. No. 144900
 Patent zurn.com/patents
 Prod. | Dwg. No. Z1350