

# MEPNN Supplier Scouting Opportunity Synopsis

## Section 1: General Information

Scouting Number	2024-320
Item to be Scouted	Exterior Hose Bibb
Days to be scouted	45
Response Due By	11/23/2024
Description	Exterior hose bibb used to dispense cold water. Fixture shall be installed recessed within an exterior wall for a flush appearance. Fixture shall be automatic draining and complete with an integral backflow preventer. Fixture shall include a stainless-steel box with hinged cover, cylinder lock and "WATER" stamped on cover.
Notify Requester Immediately	
State item to be used in	Vermont

## Section 2: Technical Information

Type of supplier being sought	Manufacturer
Reason	BABA
Describe the manufacturing processes (elaborate to provide as much detail as possible)	Factory manufactured fixture shall include the following components.  Fixture shall include a copper casing, all bronze interior parts with ½ turn ceramic disc cartridge and combination ¾" female solder and ¾" male pipe thread inlet. Stainless steel box and hinged cover. Fixture shall be automatic draining and complete with an integral backflow preventer.
Provide dimensions / size / tolerances / performance specifications for the item	See attached product data for performance specifications and equipment dimensions.
List required materials needed to make the product, including materials of product components	Fixture shall be made of bronze with stainless steel box and hinged cover. Fixture shall be manufactured for a recessed installation.
Are there applicable certification requirements?	No
Are there applicable regulations?	Yes
Details	Fixture needs to comply with the International Plumbing Code.  <a href="https://codes.iccsafe.org/content/IPC2024P1">https://codes.iccsafe.org/content/IPC2024P1</a>
Are there any other standards, requirements, etc.?	No
NAICS 1	332913 Plumbing fixture fitting and trim manufacturing
NAICS 2	
Additional Technical Comments	

## Section 4: Business Information

Estimated potential business volume	Zurn is one of the leading manufacturers for this type of fixture. This would be a one-time purchase of roughly 3 fixtures.
Estimated target price / unit cost information (if unavailable explain)	\$400/unit

When is it needed by?	Construction is scheduled to start in February of 2025.
Describe packaging requirements	Individually packaged.
Where will this item be shipped?	Northfield, VT

## Additional Comments

Is there other information you would like to include?	see attached cut sheet for the basis of design. For all BABA related questions please contact:  Alya Staber Jones Archtiecture alya@jonesarch.com
---	---



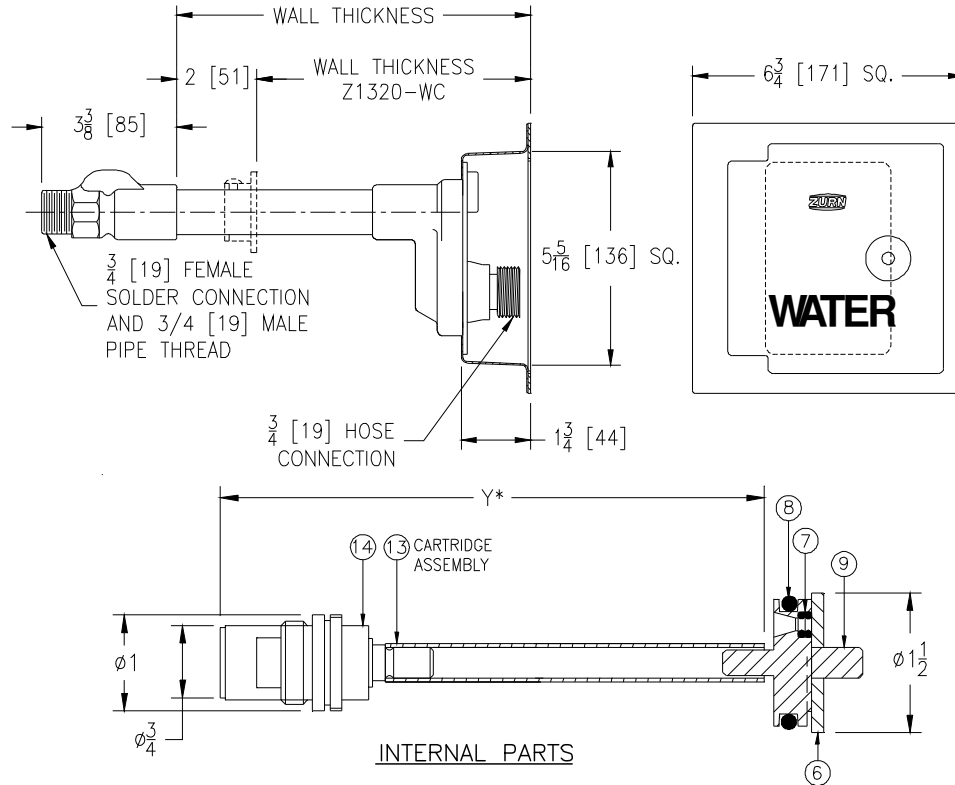
# Z1320

ECOLOtrol CERAMIC DISC WALL HYDRANT  
Encased, Non-Freeze, Anti-Siphon, Automatic Draining

SPECIFICATION SHEET

TAG \_\_\_\_\_

Dimensional Data (inches and [ mm ]) are Subject to Manufacturing Tolerances and Change Without Notice



Wall Thickness Inches[mm]	Approx. Wt. Lbs. [kg]
6,8 [152,203]	5 [2]
10,12,14 [254,305,356]	6 [3]
16,18 [406,457]	7 [3]
20,22,24 [508,559,610]	8 [4]
26,30 [660,762]	10 [5]

**ENGINEERING SPECIFICATION:** ZURN Z1320 Encased Ecolotrol "anti-siphon" automatic draining wall hydrant for flush installation. Complete with integral backflow preventer, copper casing, all bronze interior parts with 1/2 turn ceramic disc cartridge and combination 3/4" [19mm] female solder and 3/4" [19mm] male pipe thread inlet. Stainless steel box and hinged cover with operating key lock and "WATER" stamped on cover. (All solder connections are lead free.)

Note: During normal operation, the hydrant may take as long as one minute to complete the self-draining process. This drainage feature should not be mistaken for an unsealed shut-off of the hydrant, and over-tightening of the operating coupling is not necessary.

**OPTIONS** (Check/specify appropriate options)

**SUFFIXES**

- \_\_\_ -CL Cylinder Lock
- \_\_\_ -NB Polished Nickel Bronze Box
- \_\_\_ -PB Polished Bronze Box
- \_\_\_ -RK Hydrant Parts Repair Kit
- \_\_\_ -RT12 Ceramic Cartridge Removal Tool (Up to 12 [305] Wall)
- \_\_\_ -RT24 Ceramic Cartridge Removal Tool (Up to 24 [610] Wall)
- \_\_\_ -RT36 Ceramic Cartridge Removal Tool (Up to 36 [915] Wall)
- \_\_\_ -WC Wall Clamp
- \_\_\_ -34EL 3/4 [19] IP 90° Solder Inlet Elbow
- \_\_\_ -34FIP 3/4 [19] IP Straight Female Inlet Adapter

**PARTS LIST**

Item	Name	Quan.
14	Cartridge	1
13	Operating Tube	1
9	Operating Coupling	1
8	'O' Ring	1
7	'O' Ring	2
6	Retaining Washer	1

\* Regularly furnished unless otherwise specified.