

# MEPNN Supplier Scouting Opportunity Synopsis

## Section 1: General Information

Scouting Number	2024-373
Item to be Scouted	Barbed Dowel
Days to be scouted	30
Response Due By	12/20/2024
Description	Barbed Dowel made of wood (Drawing included for reference)
Notify Requester Immediately	No
State item to be used in	Washington

## Section 2: Technical Information

Type of supplier being sought	Manufacturer
Reason	2nd Supplier
Describe the manufacturing processes (elaborate to provide as much detail as possible)	Dowel milling or machining
Provide dimensions / size / tolerances / performance specifications for the item	1in long, 7/16in external diameter, 1/8in internal diameter (see attachment for additional information)
List required materials needed to make the product, including materials of product components	Hardwood, Any species
Are there applicable certification requirements?	No
Are there applicable regulations?	No
Are there any other standards, requirements, etc.?	No
NAICS 1	321992 Prefabricated wood building manufacturing
NAICS 2	
Additional Technical Comments	

## Section 4: Business Information

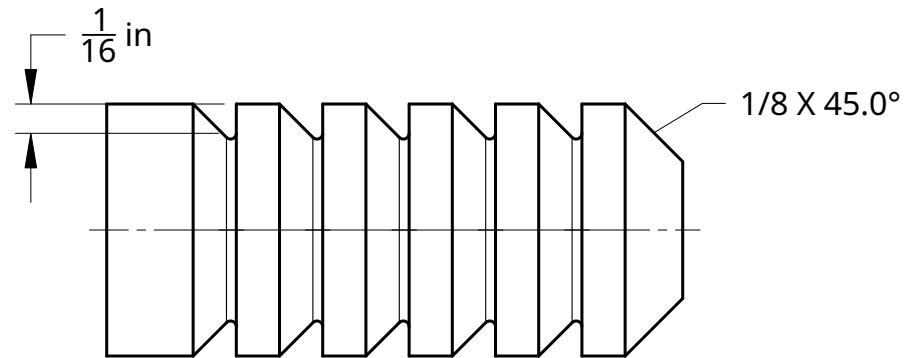
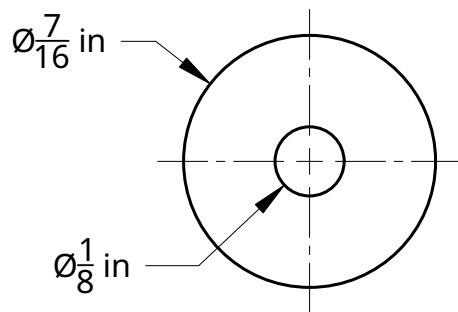
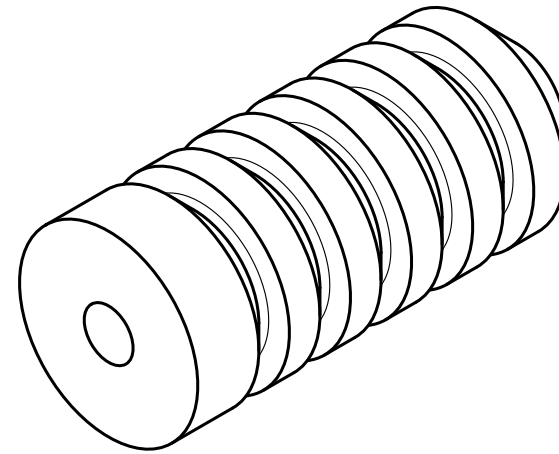
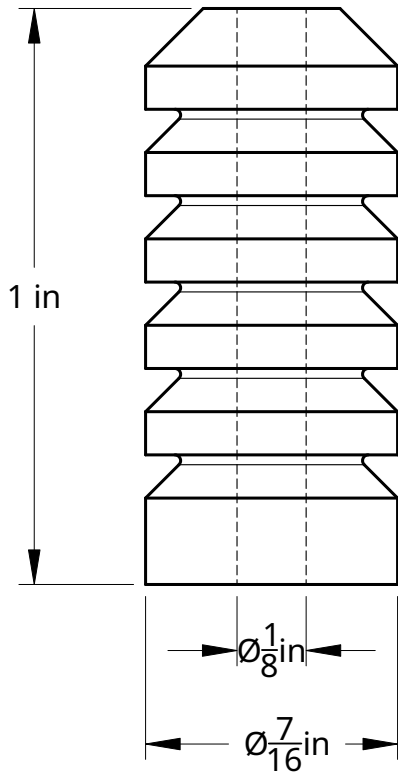
Estimated potential business volume	240,000/mo potential. Initially 20,000/mo
Estimated target price / unit cost information (if unavailable explain)	N/A Open to quotes
When is it needed by?	ASAP
Describe packaging requirements	Basic to preserve item
Where will this item be shipped?	WA

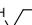

## Additional Comments

Is there other information you would like to include?	
---	--

2

1



UNLESS OTHERWISE SPECIFIED, DIMENSIONS ARE IN INCHES .XX = ±.0- .XXX = ±.00- .XXXX = ±.000- SURFACE FINISH 		NAME	DATE	TITLE <b>Blaze Barrier, Inc.</b> Barbed Dowel Material: Hardwood	
DO NOT SCALE DRAWING	DRAWN	JACOB SCHULER	11/06/2024		
BREAK ALL SHARP EDGES AND REMOVE BURRS	CHECKED				
THIRD ANGLE PROJECTION 	APPROVED				
	MATERIAL Hardwood, Any Species	FINISH None	SIZE A	DWG NO.	REV.
			SCALE 3:1	WEIGHT	SHEET 1 of 1

2

1

B

B

A

A