

# MEPNN Supplier Scouting Opportunity Synopsis

## Section 1: General Information

Scouting Number	2025-052
Item to be Scouted	Multi-Brush Cosmetic Kit
Days to be scouted	28
Response Due By	03/26/2025
Description	A multi-brush cosmetic kit. See attached drawings and pictures.
Notify Requester Immediately	Yes
State item to be used in	Arizona

## Section 2: Technical Information

Type of supplier being sought	Manufacturer
Reason	2nd Supplier
Describe the manufacturing processes (elaborate to provide as much detail as possible)	Injection Molded (See attached drawings and photos)
Provide dimensions / size / tolerances / performance specifications for the item	See attached drawings and photos
List required materials needed to make the product, including materials of product components	Metal (possible aluminum) for handles and tube Bristles(various options): Nylon, Taklon, Natrafil
Are there applicable certification requirements?	No
Are there applicable regulations?	No
Are there any other standards, requirements, etc.?	No
NAICS 1	
NAICS 2	
Additional Technical Comments	

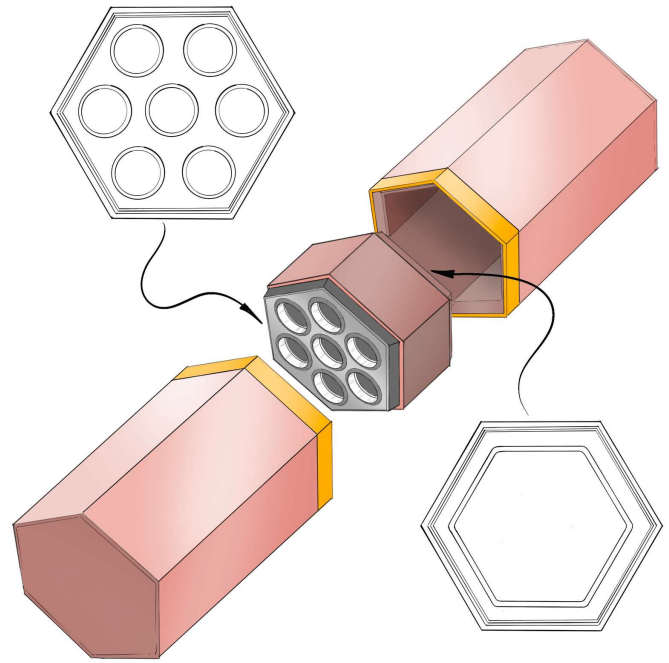
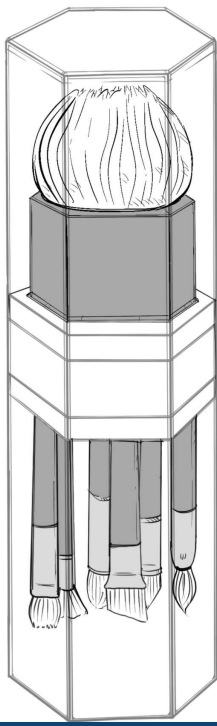
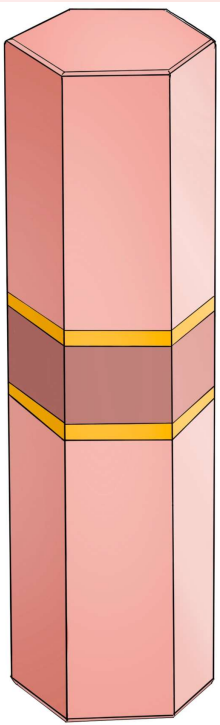
## Section 4: Business Information

Estimated potential business volume	100 units / month estimated
Estimated target price / unit cost information (if unavailable explain)	targeted estimated retail price is between \$30 - \$35 per unit
When is it needed by?	6/30/2025
Describe packaging requirements	Individually packaged for retail
Where will this item be shipped?	Product will be sold nationwide

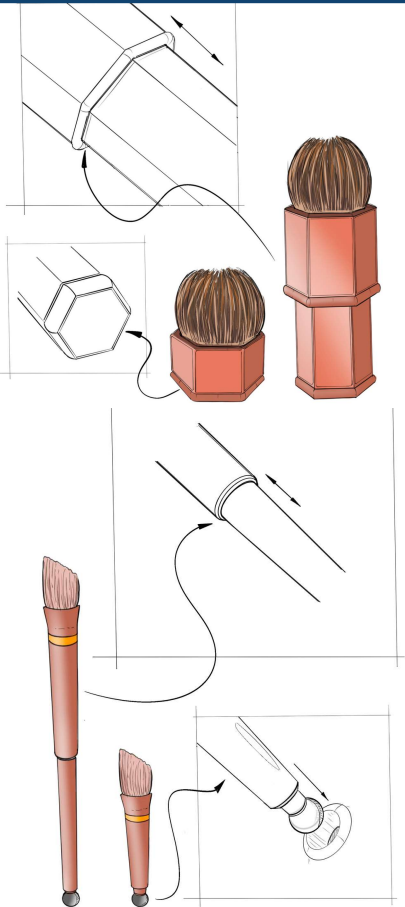
## Additional Comments

Is there other information you would like to include?

Patent pending - NDA will be required



# Finally, A Makeup Tool that Adapts with Me!



## EVERYTHING YOU NEED IN A SNAP!

- ✓ Dual End Makeup / Skincare Tube
- ✓ Travel Friendly
- ✓ Brushes Detach, Extend, and Collapse
- ✓ For Skincare or Makeup Application
- ✓ Magnetic Feature Snaps & Holds Brushes into Place

AZEEZA REED

☎ (412) 495-6012

✉ azezareed22@gmail.com

Patent Pending!  
Available for  
Licensing Now!

NOTES:  
1

4

5

6

7

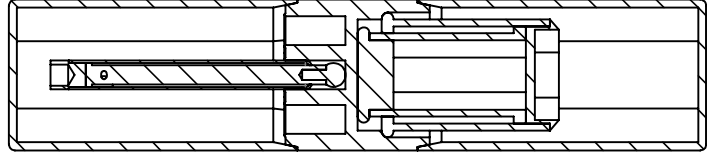
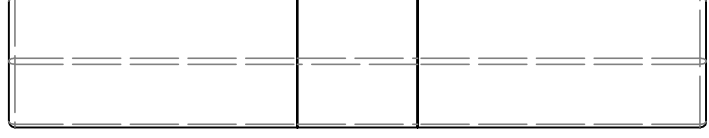
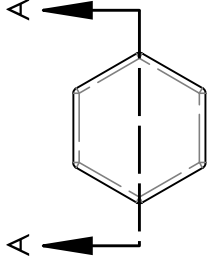
8

ZONE	REV.
	X

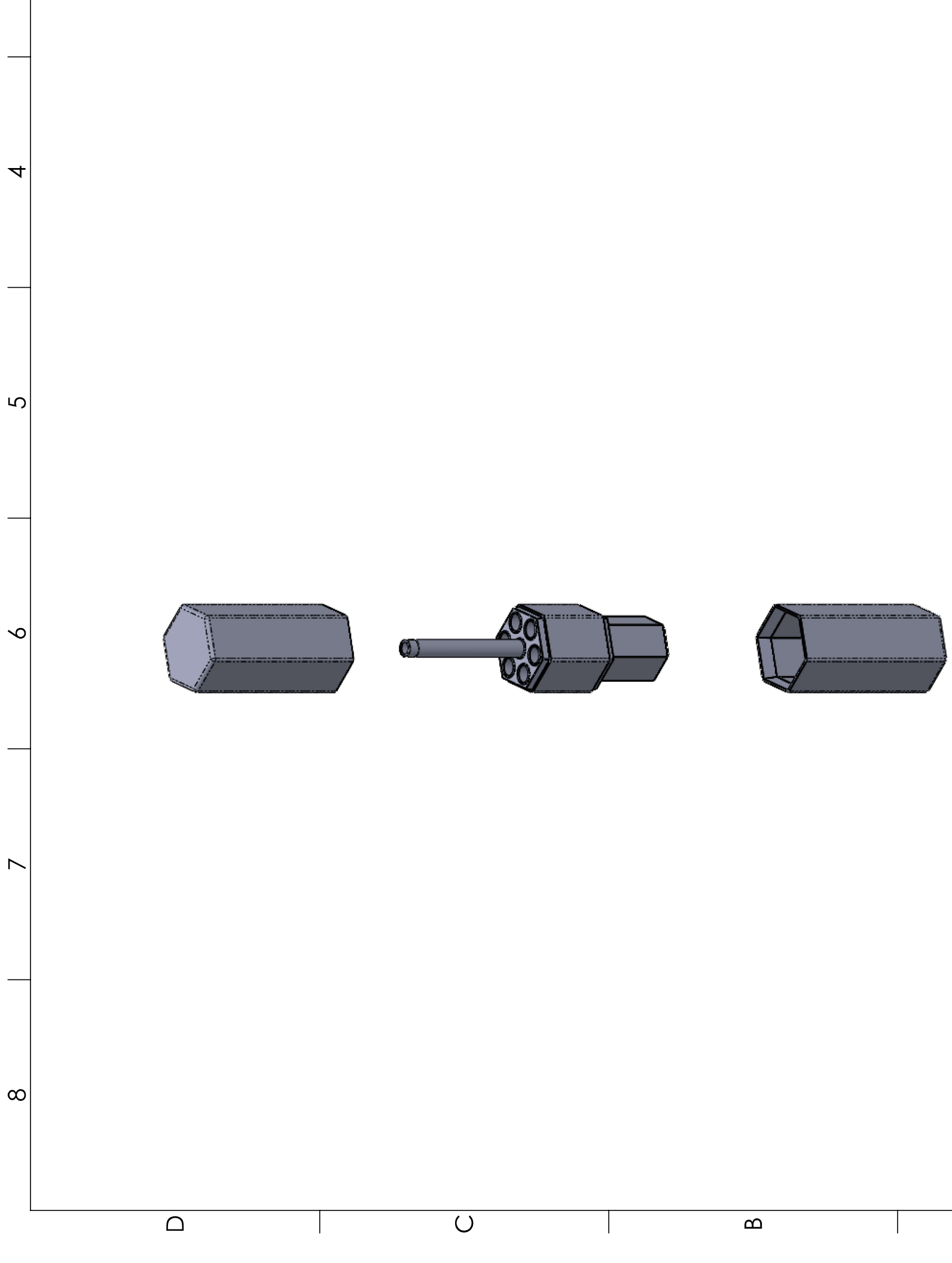
D

C

B



SECTION A-A



ZONE	REV.
	A

4

5

6

7

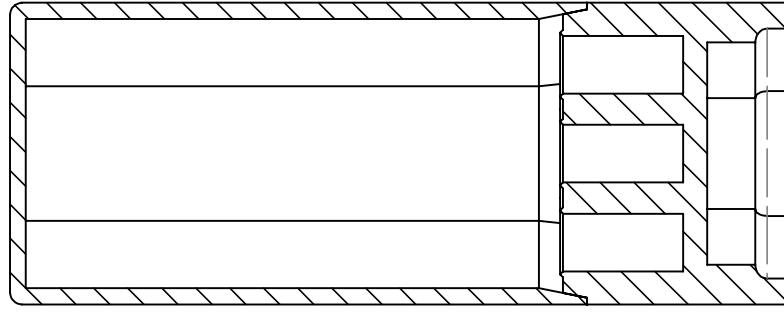
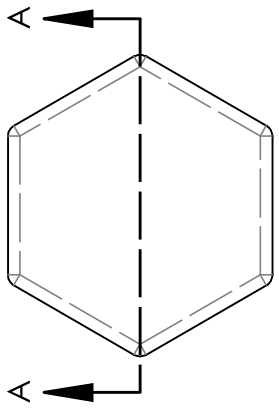
8

NOTES:  
1

D

C

B



NOTES:  
1

ZONE	REV.
	A

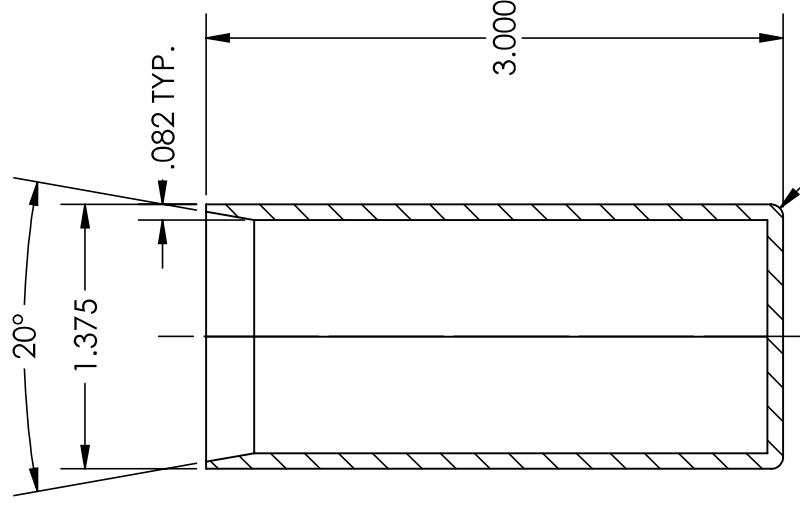
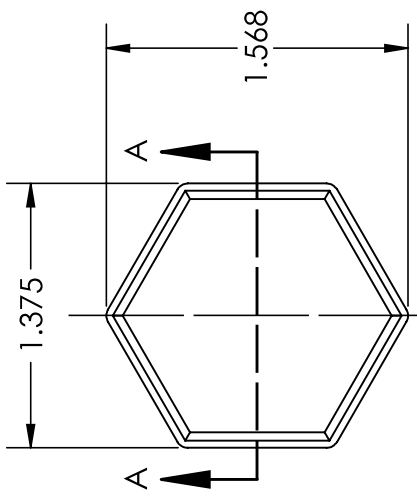
4

5

6

7

8



SECTION A-A

D

C

B

NOTES:  
1

8

7

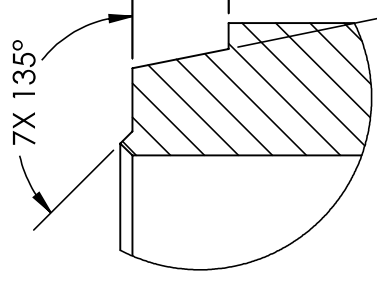
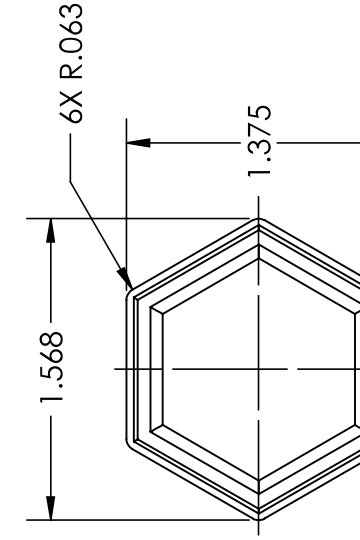
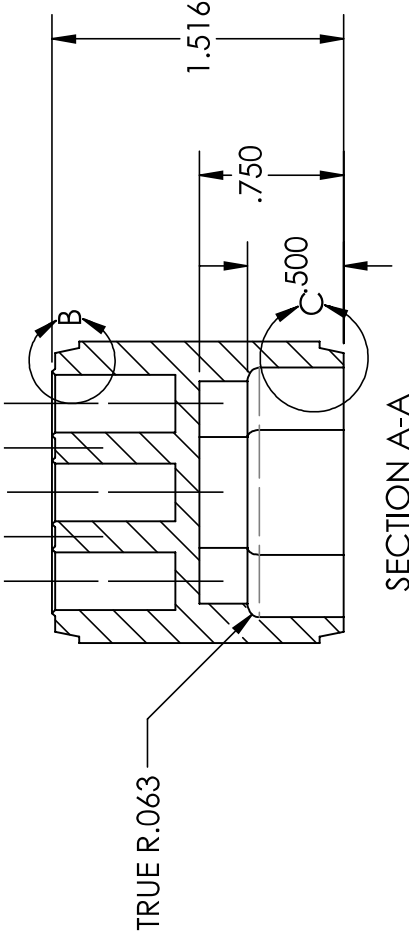
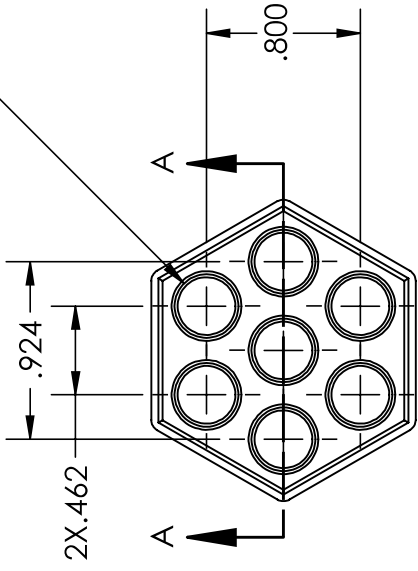
6

5

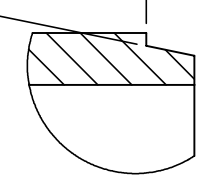
4

ZONE	REV.
	A

7X  $\phi$ .300  $\nabla$ .641  
 $\nabla$   $\phi$ .331 X 90°



DETAIL B  
SCALE 4:1



DETAIL C  
SCALE 2:1



NOTES:  
1

ZONE	REV.
	A

4

5

6

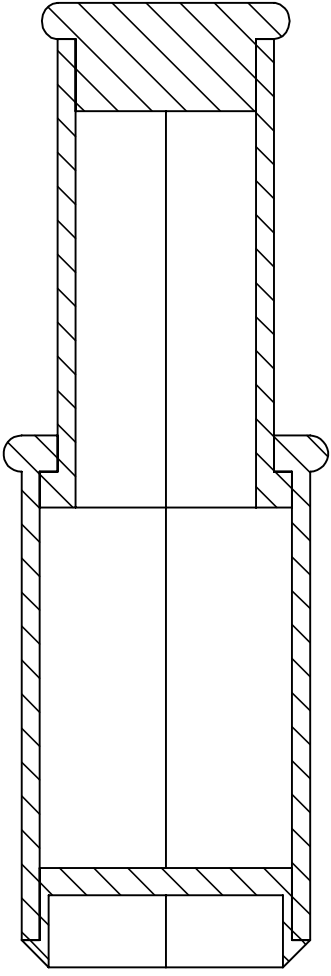
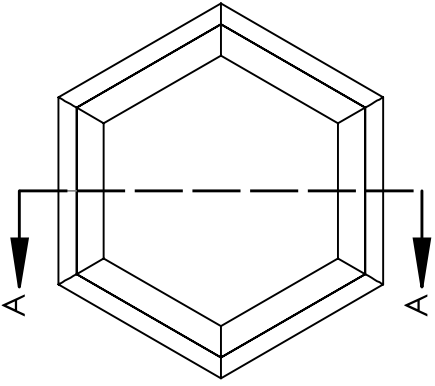
7

8

D

C

B



SECTION A-A

NOTES:  
1

ZONE	REV.
	A

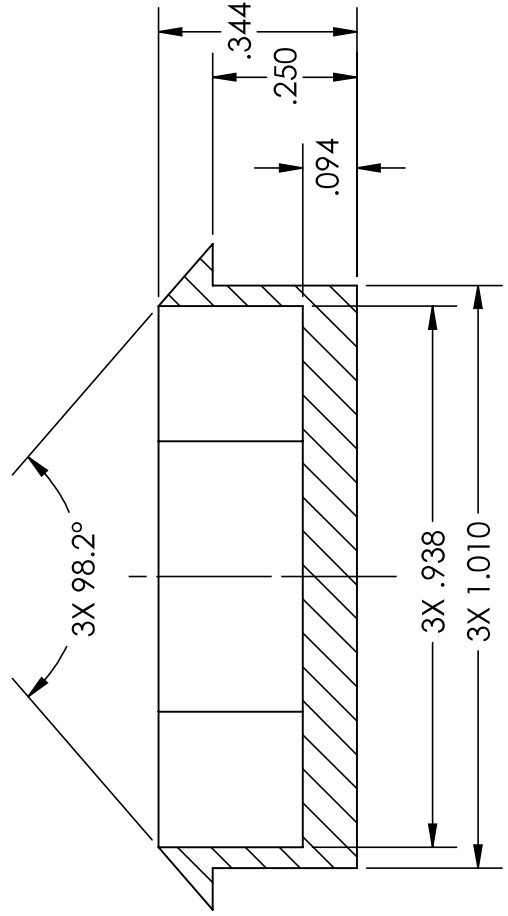
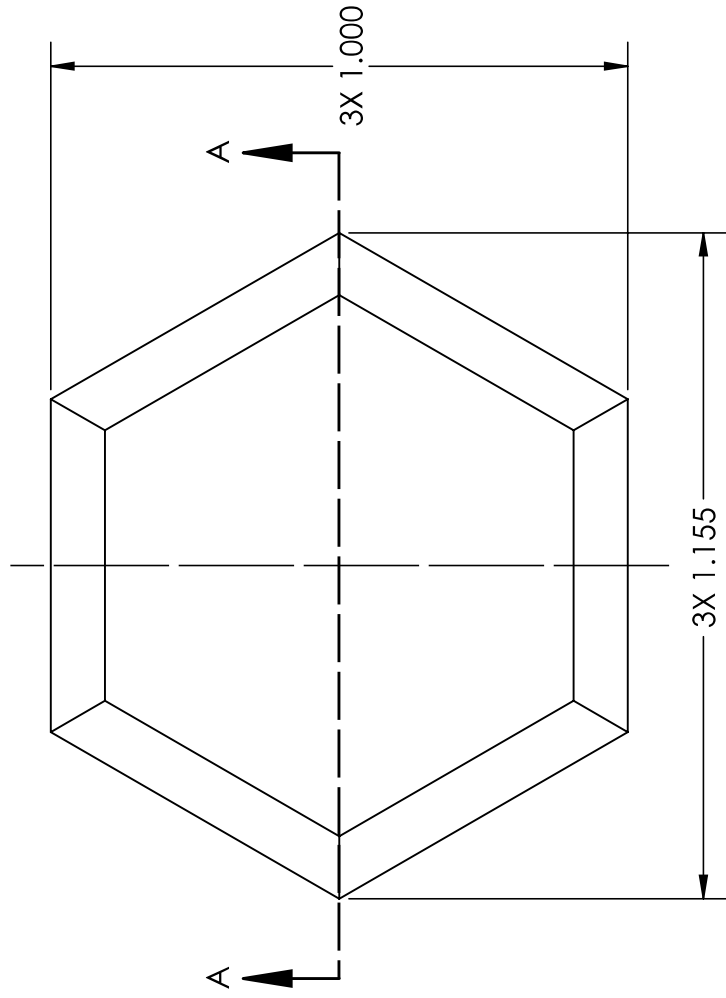
4

5

6

7

8



SECTION A-A

D

C

B

NOTES:  
1

ZONE	REV.
	A

4

5

6

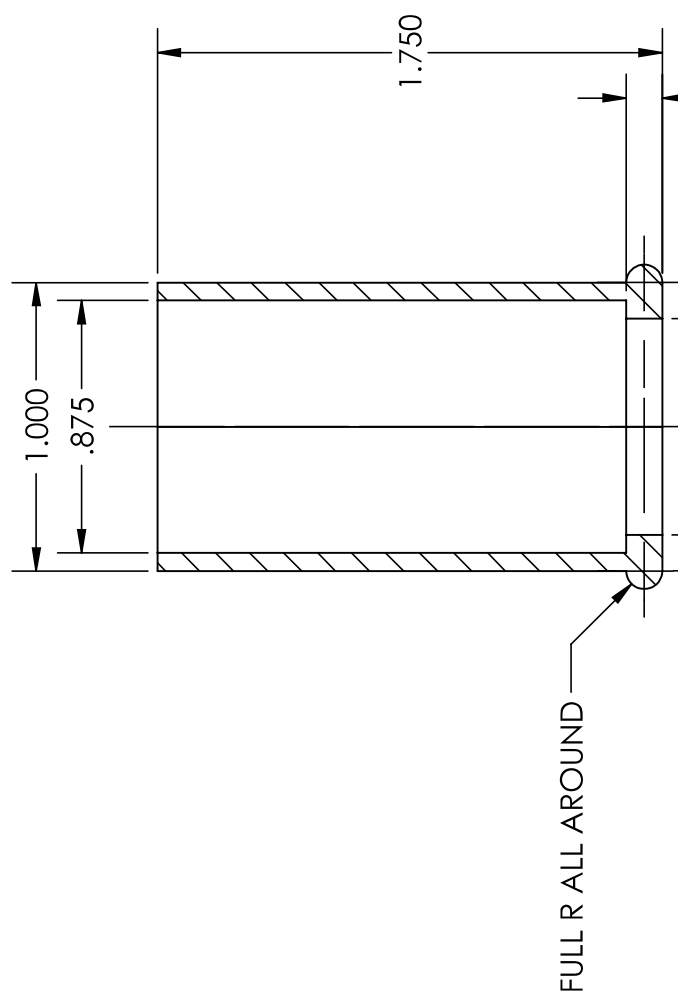
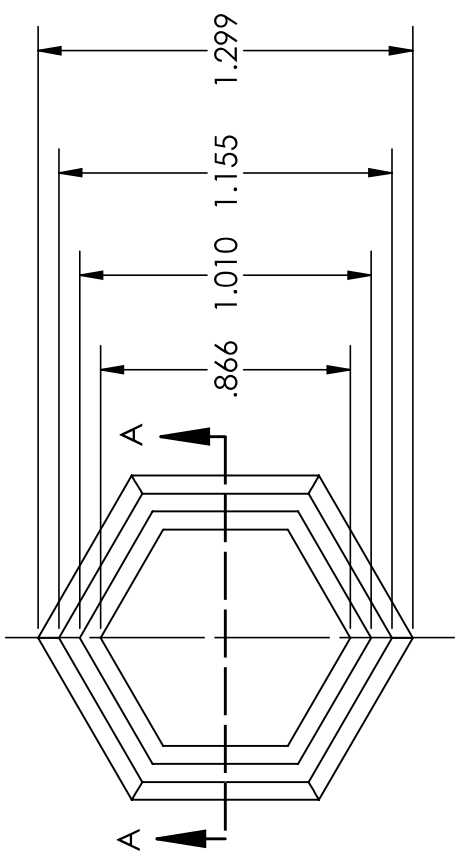
7

8

D

C

B



ZONE	REV.
	A

4

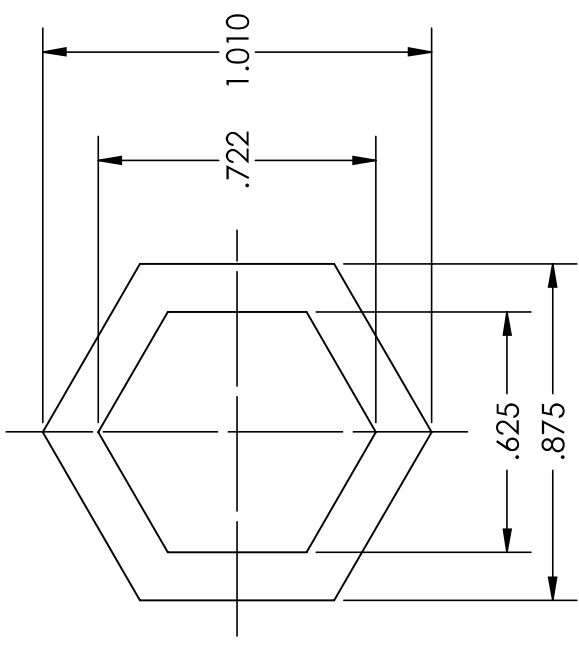
5

6

7

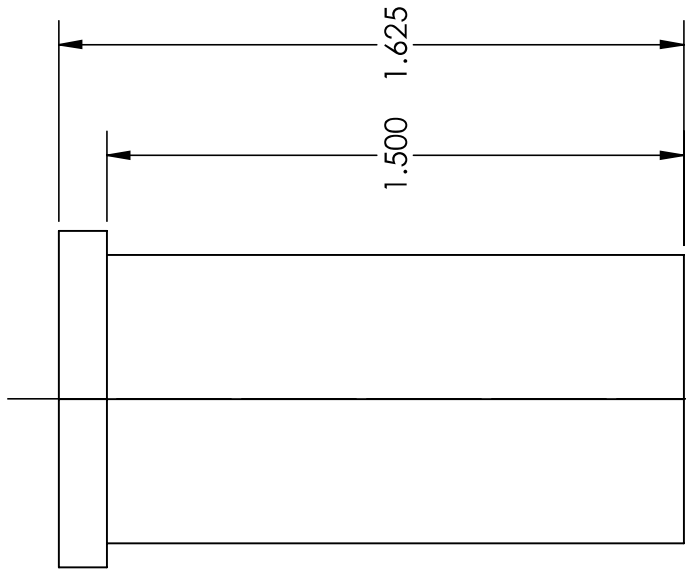
8

NOTES:  
1



D

C



B

ZONE	REV.
	A

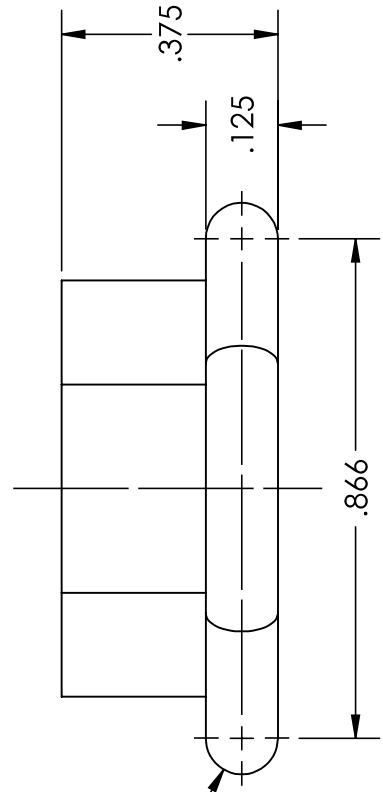
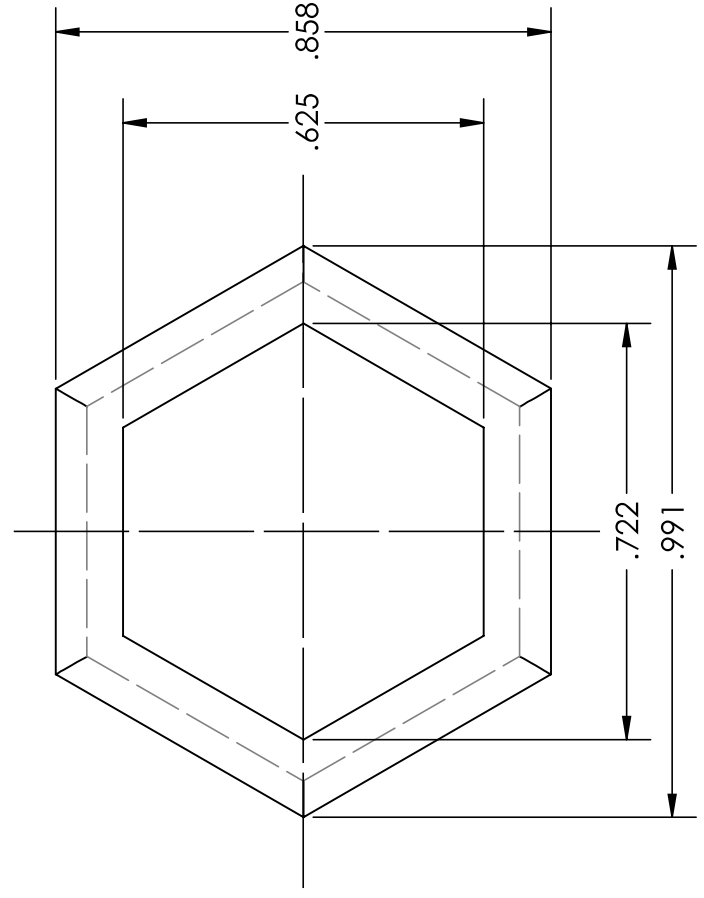
4 5 6 7 8

NOTES:  
1

D

C

B



ZONE	REV.
	A

4

5

6

7

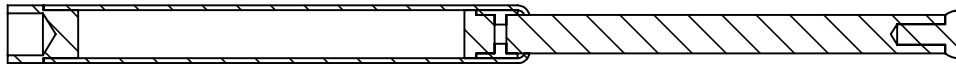
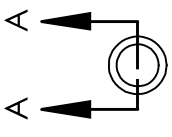
8

NOTES:  
1

D

C

B



NOTES:  
1

8

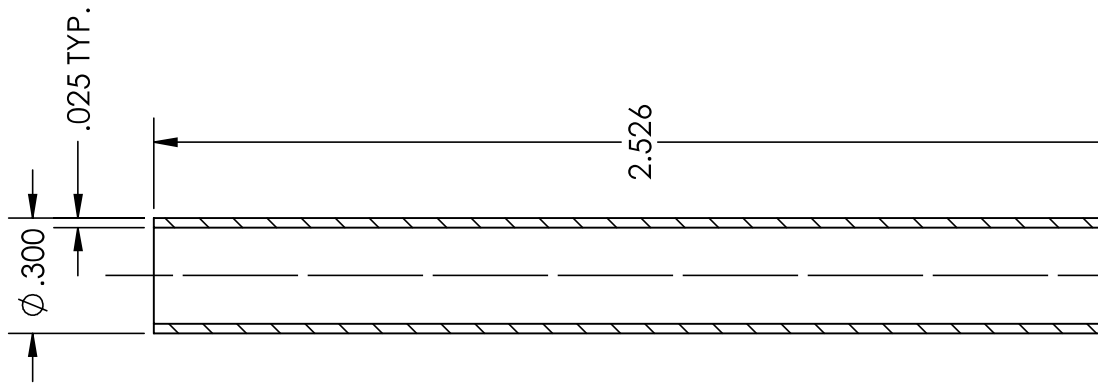
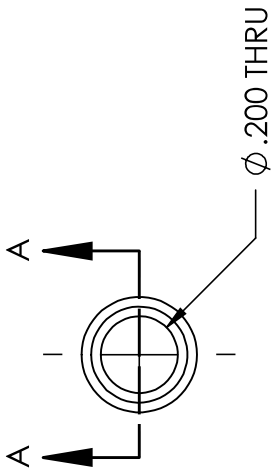
7

6

5

4

ZONE	REV.
	A



D

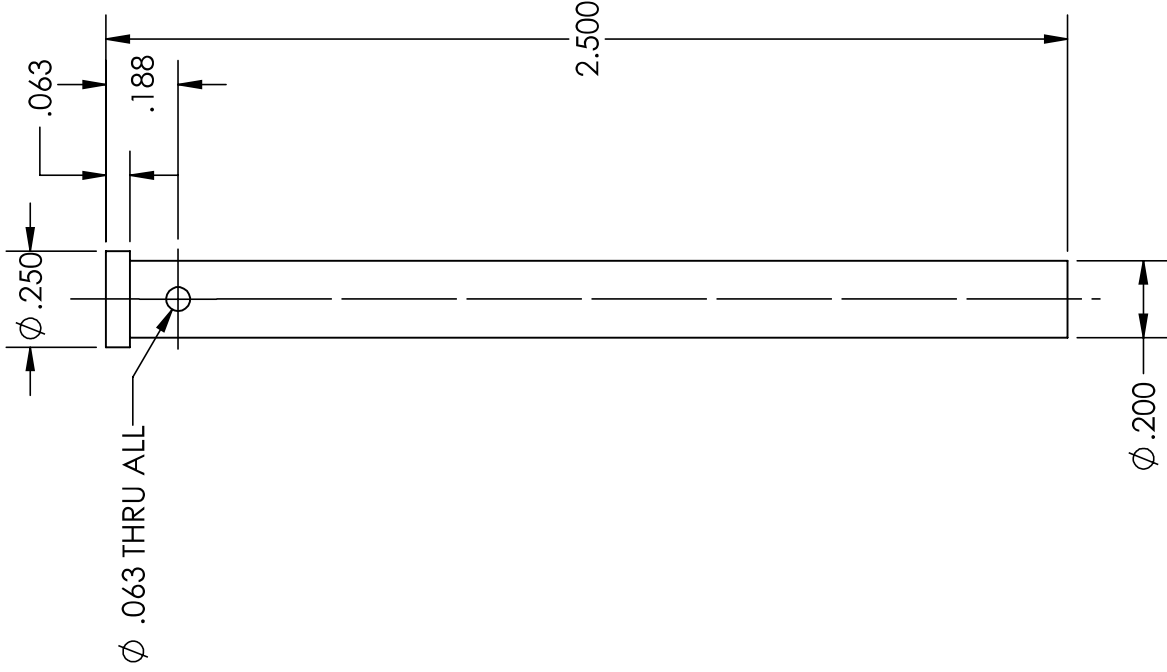
C

B

NOTES:  
1

4 5 6 7 8

ZONE	REV.
	A



$\phi .107 \nabla .250$   
6-32 UNC  $\nabla .280$



NOTES:  
1

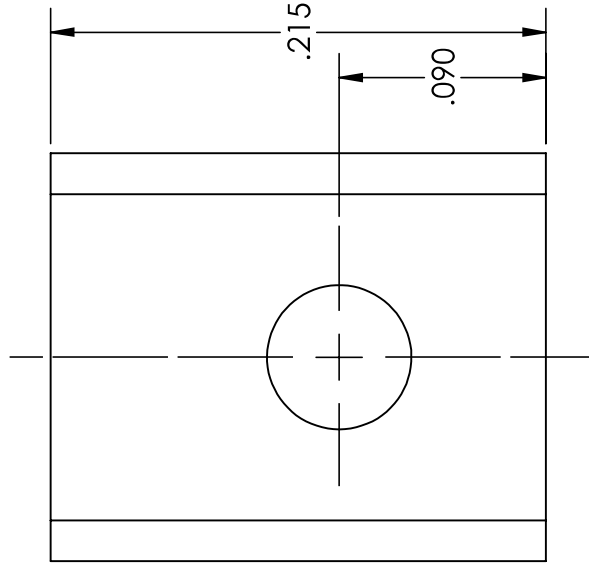
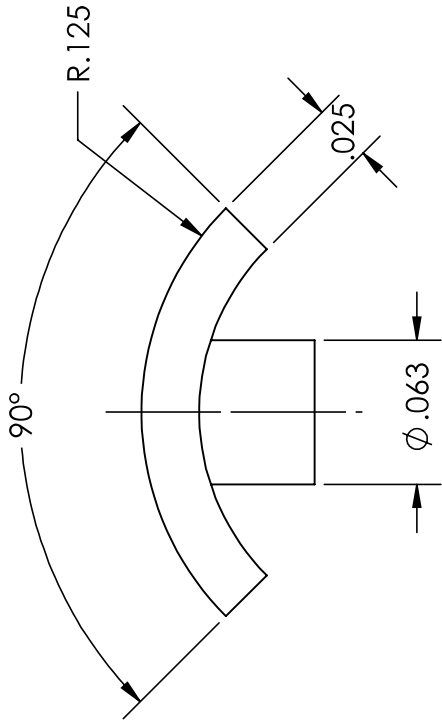
ZONE	REV.
	A

4 5 6 7 8

D

C

B



NOTES:  
1

8

7

6

5

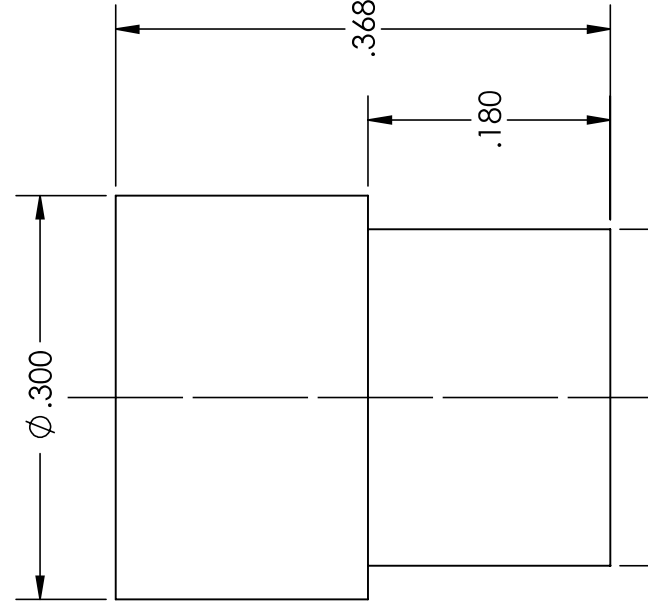
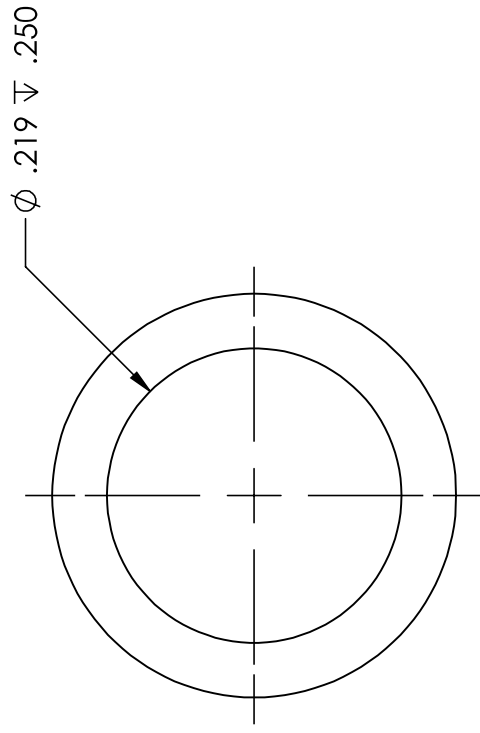
4

ZONE	REV.
	A

D

C

B



NOTES:  
1

D

C

B

4

5

6

7

8

ZONE	REV.
	A

