

MEPNN Supplier Scouting Opportunity Synopsis

Section 1: General Information

Scouting Number	2025-054
Item to be Scouted	Quadrant Strain Clamps
Days to be scouted	30
Response Due By	03/28/2025
Description	Quadrant Strain Clamps for Static Wire Deadend
Notify Requester Immediately	
State item to be used in	Kansas

Section 2: Technical Information

Type of supplier being sought	Distributor
Reason	BABA
Describe the manufacturing processes (elaborate to provide as much detail as possible)	Includes but is not limited to casting and forging, machining, galvanizing, and assembly
Provide dimensions / size / tolerances / performance specifications for the item	See example drawings under additional information Seeking a single type that has the capability to hold the tension of 3/8" Extra High Strength (EHS) galvanized steel wire (7 stranded)
List required materials needed to make the product, including materials of product components	See example drawings under additional information
Are there applicable certification requirements?	Yes
Details	Needs to be Build America, Buy America Compliant
Are there applicable regulations?	No
Are there any other standards, requirements, etc.?	Yes
Details	See example drawings under additional information. Needs to have an ultimate strength rating of 15,000 pounds.
NAICS 1	332510 Hardware manufacturing
NAICS 2	
Additional Technical Comments	

Section 4: Business Information

Estimated potential business volume	50 total. One time order.
Estimated target price / unit cost information (if unavailable explain)	\$40.00 each
When is it needed by?	October 1, 2025
Describe packaging requirements	Boxes of 5-10 each. Best available. Delivered undamaged. Specifics discussed in negotiation.
Where will this item be shipped?	Great Bend, KS

Additional Comments

Is there other information you would like to include?

Department of Energy Grid Deployment Office – Grid Resilience and Innovation Partnerships (GRIP) Program

For all BABA related questions:

Brian Mollohan, General Engineer
Energy Delivery & Security Division
National Energy Technology Laboratory
U.S. Department of Energy
Brian.Mollohan@NETL.DOE.GOV

Strain Clamp, Quadrant, Static Wire Deadend

By ANDERSON
Catalog # [SWDE46N](#)

For deadending static wires. May be used to deadend copper or Copperweld phase conductors. Magnetic induction heating will occur.



*Representative Image

Features

- "Type SWDE is designed for single cable
- The Sag Eye Ultimate Strength is 60% of the Ultimate Body Strength without fitting
- Rated slip strength as a % of conductor RBS varies with conductor type, size, and stranding. Minimum slip strength rating on standard strength conductors is 40% RBS (Partial Tension). For many standard strength conductors, minimum slip strength of this clamp series is 60% RBS (Normal Tension). Consult factory for slip strength test data on specific clamp and conductor combinations
- Bolt and Nut may be substituted for clevis pin by adding suffix "BNK" to catalog number. Example: SWDE46NBNK
- Bolt and clevis pin will be the same diameter"

General

Bolt Installation Torque (Recommended)	0 ft-lbs
Catalog Number	SWDE46N
Fitting Type	None
Material	Ductile Iron
Material - Body	Galvanized Ductile Iron
Material - Hardware	Galvanized Steel
Material - Keeper	Galvanized Ductile Iron
Material - Pin (Cotter)	#302 Stainless Steel
Number of Pad Holes	0
Product Category	Quadrant
Strength Rating - Ultimate	15000 lb
Body	
Style	SWDE
Tension Range	0 lb
Type	Bolted
U-Bolts	2 in
UPC	096359327165

Dimensions

Actual Clamp Strand Diameter Range	0 in
Adjustment Step	0 in
Angle - Pad	0 °
Clamping - Maximum	0 in
Clamping - Minimum	0 in

Clevis Opening	0.625 in
Diameter - Bolt	0.5 in
Diameter - Clamping Hardware	0 in
Diameter - Clevis Pin	0 in
Diameter - Eye Hole	0 in
Diameter - Inside	0 in
Diameter - Pad Bolt	0 in
Diameter - Pin	0.625 in
Dimensions	6 in x 5.5 in x 4.625 in
Height	4.625 in
Length	6 in
Length - Pin	0 in
Messenger Diameter Range	0 - 0
Take Up	0 in
Thickness - Pad	0 in
Total Adjustment	0 in
Weight	4.41 lb
Width	5.5 in

Electrical Ratings

Voltage Application	Standard
---------------------	----------

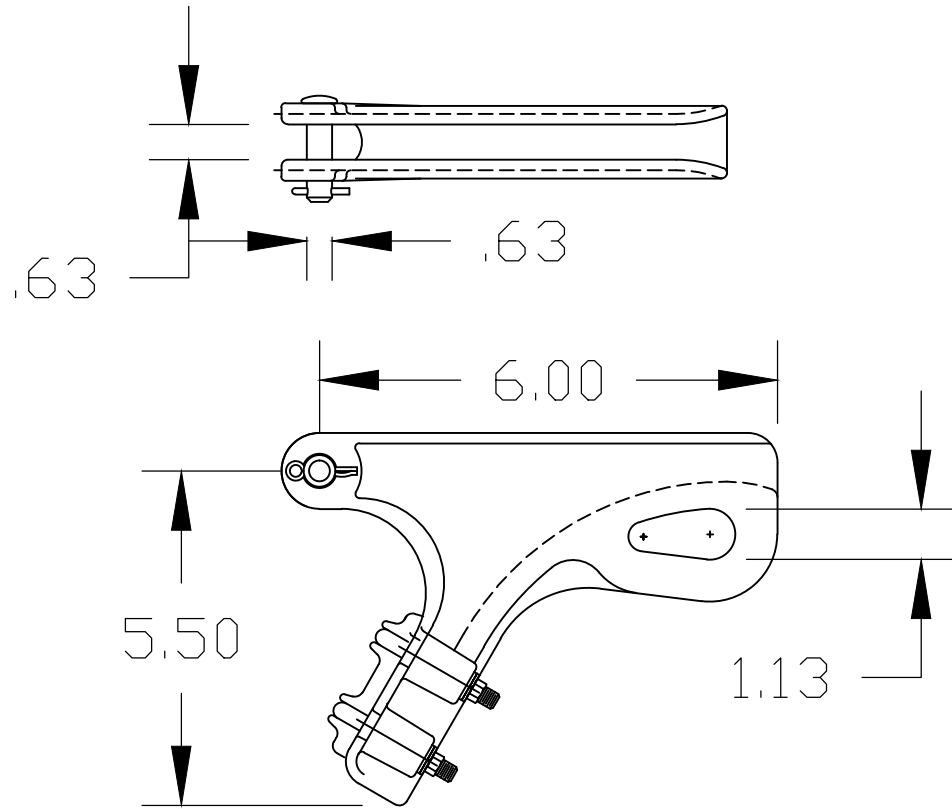
Conductor Related

Clamping Range	0 - 0
Conductor Diameter (Main) - Maximum	0 in
Conductor Diameter (Main) - Minimum	0 in
Conductor Diameter (Main) Range	0 - 0
Conductor Diameter - Maximum	0.46 in
Conductor Diameter - Minimum	0.18 in
Conductor Diameter Range	0.18 - 0.46
Messenger Diameter - Maximum	0 in
Messenger Diameter - Minimum	0 in

Logistics


Pallet Quantity	360
-----------------	-----

Product Assets



NOTES:

1. MATERIAL: GALV. DUCT. IRON - CLAMP BODY, KEEPER
GALV. STEEL - U-BOLTS, NUTS,
WASHERS, CLEVIS PIN
STAINLESS STEEL - COTTER PIN
2. ULTIMATE STRENGTH - 15,000 LBS
3. WEIGHT - 4.10 LBS
4. DIMENSIONS IN INCHES.

HPS [®]		 HUBBELL[®] POWER SYSTEMS	
<small>CONFIDENTIAL: THIS DRAWING AND ITS CONTENTS ARE CONFIDENTIAL AND THE EXCLUSIVE PROPERTY OF HUBBELL POWER SYSTEMS. NO PUBLICATION, DISTRIBUTION OR COPIES MAY BE MADE WITHOUT THE WRITTEN CONSENT OF HUBBELL POWER SYSTEMS. HUBBELL POWER SYSTEMS UNPUBLISHED. ALL RIGHTS RESERVED UNDER THE COPYRIGHT LAWS.</small>			
<small>TITLE</small> SINGLE GOOVE DEADEND STRAIN CLAMP			
<small>SIZE</small> B	<small>DWG NO.</small> CUTSHEET	<small>CAT / PART / ASSY NO.</small> SWDE-46-N	<small>REV</small> A
<small>DO NOT SCALE THIS DRAWING</small>	<small>DRN BY</small> KMK	<small>DATE</small> 3/24/15	<small>SHEET 1 OF 1</small>